

**Caution: Read this before opening the transmitter housing for the connections.**

The picture below shows the SME-TRD.



Open the Red display cover by rotating it anti-clockwise.



## IMPORTANT INSTALLATION INSTRUCTION

© RHEONICS

Now carefully pull out the display module as shown in the picture. Please don't apply very high force, use just enough to pull it out. Then you see the transmitter connections as below.

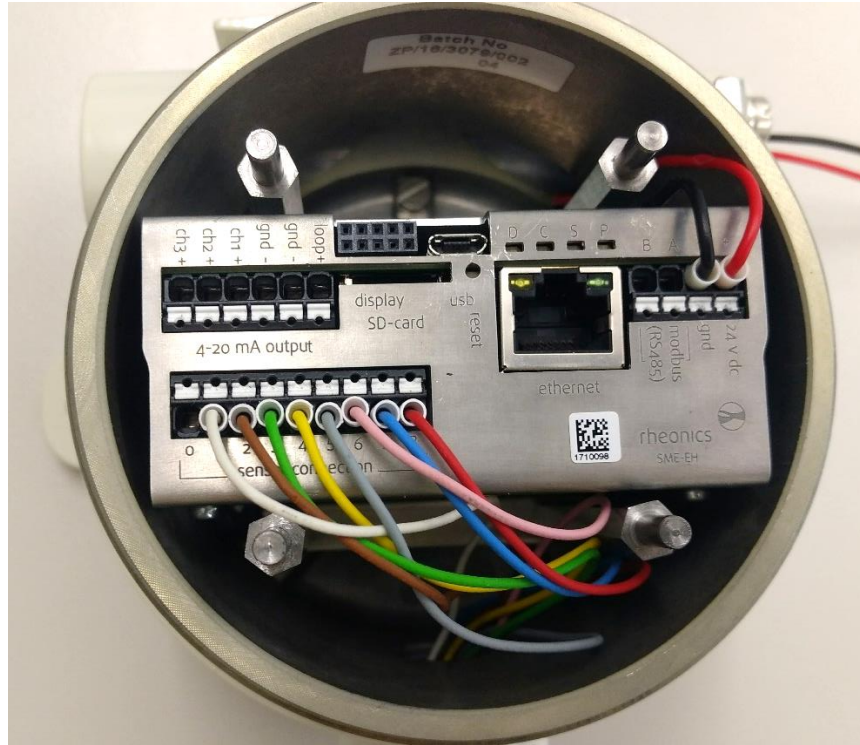


Now connect the sensor cable as shown below. Make sure to follow the color code as below. Detailed information on connecting sensor cable to transmitter is in the respective (SRV, SRD, DVP, DVM) sensor installation and operation manual.



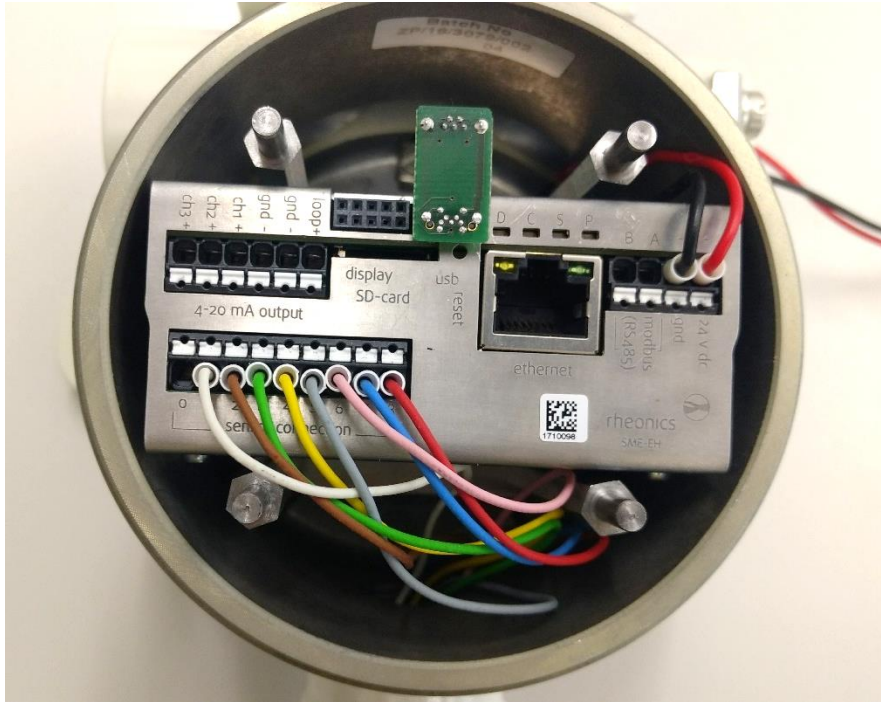
IMPORTANT INSTALLATION INSTRUCTION  
© RHEONICS

Now connect the 24 V DC power supply as below. Black wire (-negative terminal) in the image below is connected to port labeled 'gnd' and red wire (+positive terminal) connected to port labeled 24 V dc.



If your unit came with USB connection then you will have the setup to connect the USB cable as below. For more details on how to connect the USB, refer to the 'USB connection' section in this document.

**IMPORTANT INSTALLATION INSTRUCTION**  
© RHEONICS



Based on your preferred output method connect the 4-20 mA output wires to the terminal block on the top right. The connection setting can be found in the datasheet and is explained in Section 5 of the respective sensor installation and operation manual.

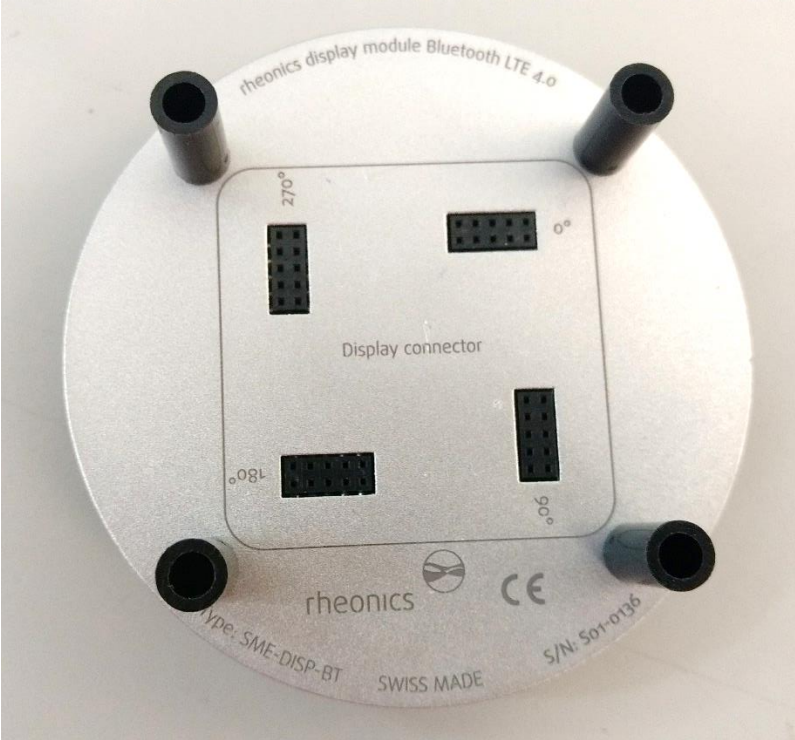
After all the connections are complete, take the display connector pin and insert it at the 0° location (or rotate if the transmitter is to be mounted in a horizontal orientation) on the back of the display module.



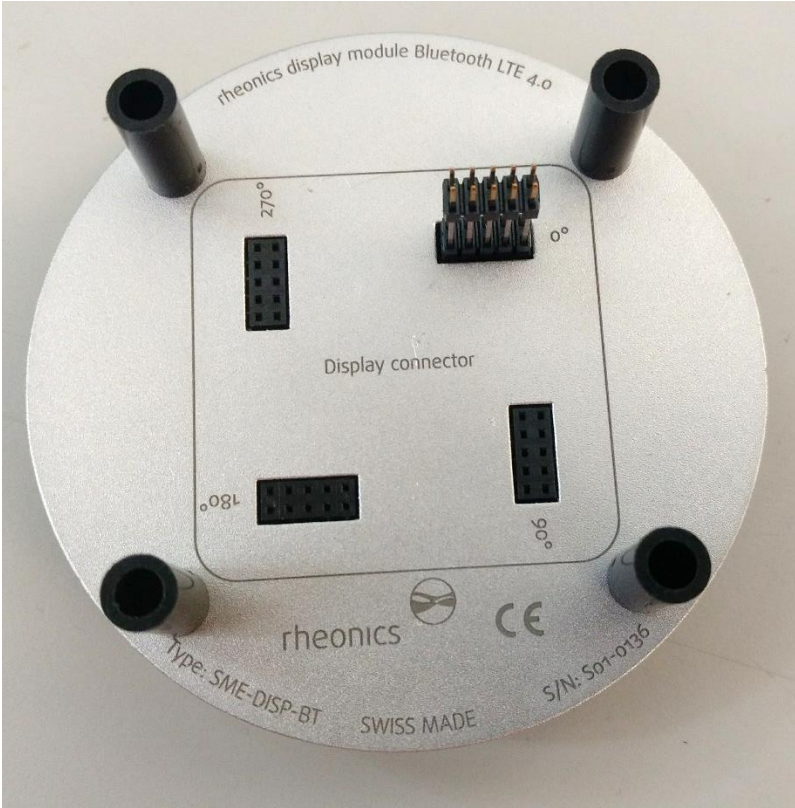
Display connector pin



IMPORTANT INSTALLATION INSTRUCTION  
© RHEONICS



Back of the display module



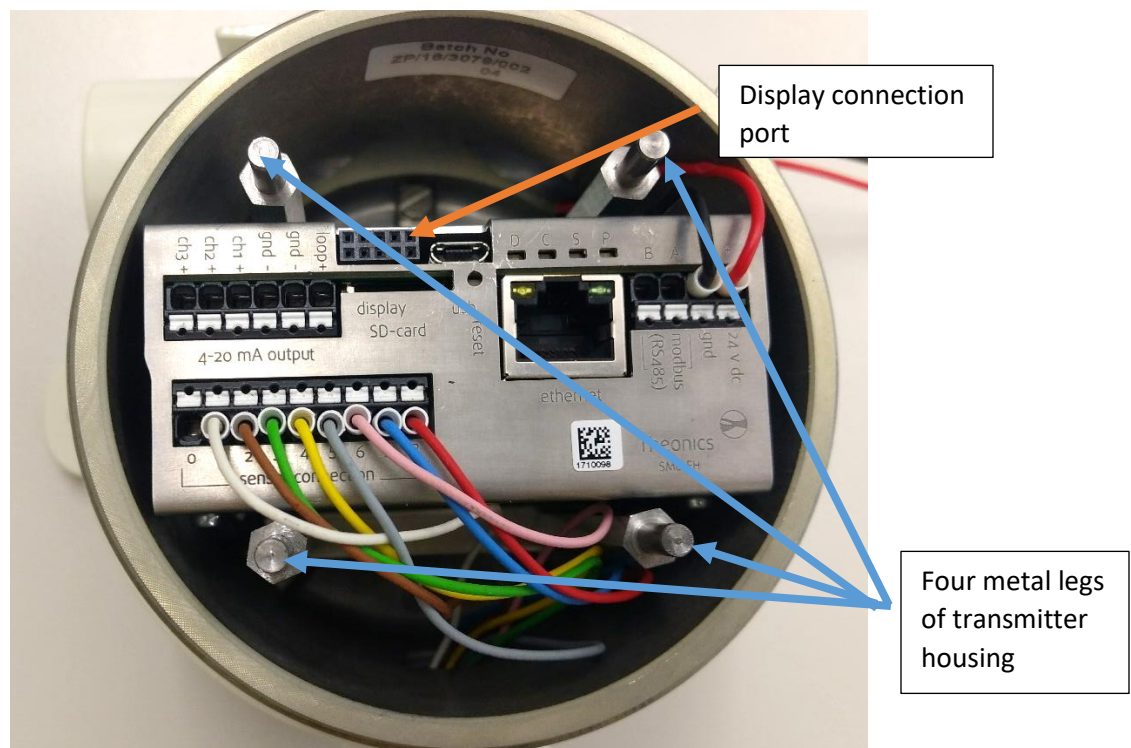
Connector pin inserted in the back of the display module

## IMPORTANT INSTALLATION INSTRUCTION

© RHEONICS

Then very carefully place the four black legs of the display module on the four metal legs of the transmitter housing (shown below) making sure that the display connector pins are aligned with the display connection port (shown below) of the transmitter housing – you will have to see in between the display module and electronics module to check correct alignment of the pins on the display connector. If the display pins are not aligned correctly on the display connector then first align them properly by moving them sideways before pressing the display module.

**Caution: If display pins are not aligned then it can break the display connector or damage the display module, so make sure it is aligned when pushing in the display module. The correct alignment will push the display pins in the correct display connector holes.**



After the display module in place, replace the red cover and your sensor and transmitter connection is complete.

## USB connection

If you have ordered the USB connection then you will receive the unit with a USB adapter board as shown in picture below.

IMPORTANT INSTALLATION INSTRUCTION  
© RHEONICS



To connect the USB cable, take off the green USB connector carefully and insert the USB cable through the hole in the transmitter. (see in the picture below)



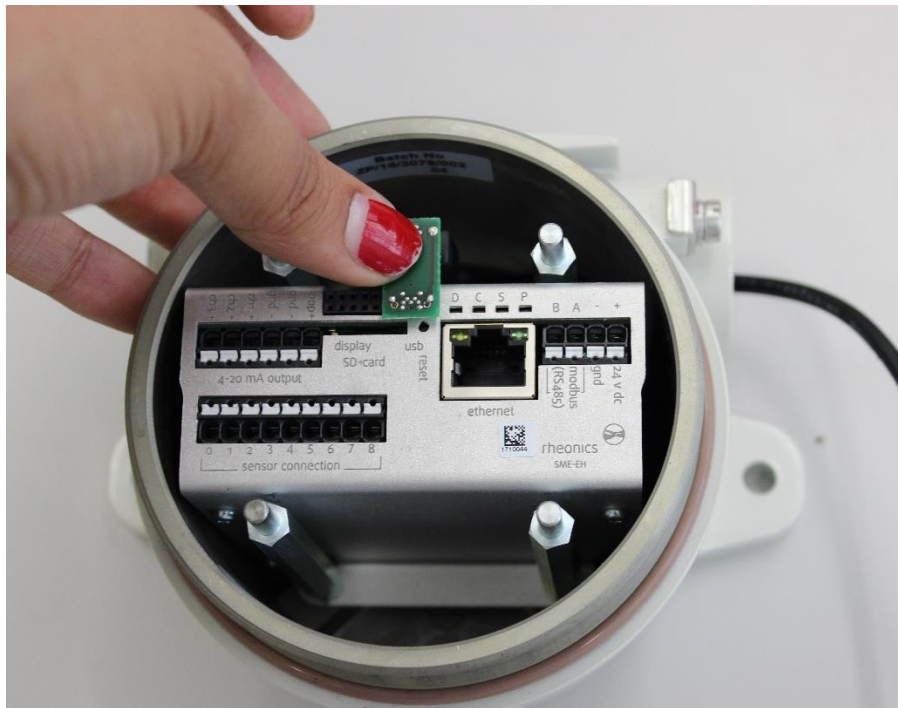
Then connect the green USB connector to the USB cable as shown below.



IMPORTANT INSTALLATION INSTRUCTION  
© RHEONICS



Then place the USB connector in the USB connection in the transmitter as shown below.



Connect the other side of the USB cable to the computer USB port. You can now complete the other connections and connect the display module, close the transmitter and it is ready to use.

If you need USB connection just to connect for programming (set 4-20mA channel range, etc.) but don't need it to be connected during the sensor operation, then the easier option is to take out the display and



## IMPORTANT INSTALLATION INSTRUCTION

© RHEONICS

connect the USB cable (micro-USB end) directly in the micro-USB connector in the transmitter as shown below.



The display module will not connect in this mode. After you are finished programming the unit, you can take out the USB cable and connect the display module as mentioned before in this document.

Your unit also came with a flexible display connector as shown in the picture below. You can use this connector when the unit is running but you don't need display or you don't need USB connection while the sensor is running with display.



Flexible display connector

IMPORTANT INSTALLATION INSTRUCTION  
© RHEONICS

Connect one end of the flexible display connector to the display module as shown in the picture below.



Connect the other end to the transmitter as shown in the picture below.



Now connect the display module on top. And close the transmitter housing lid.