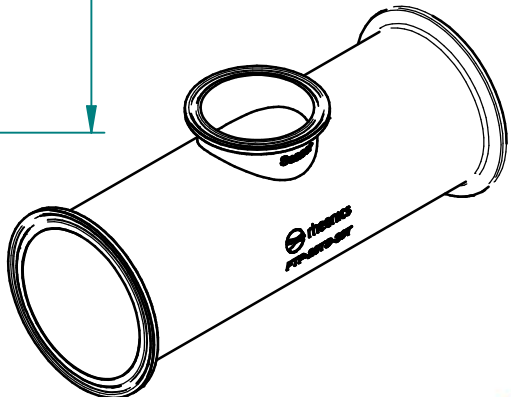
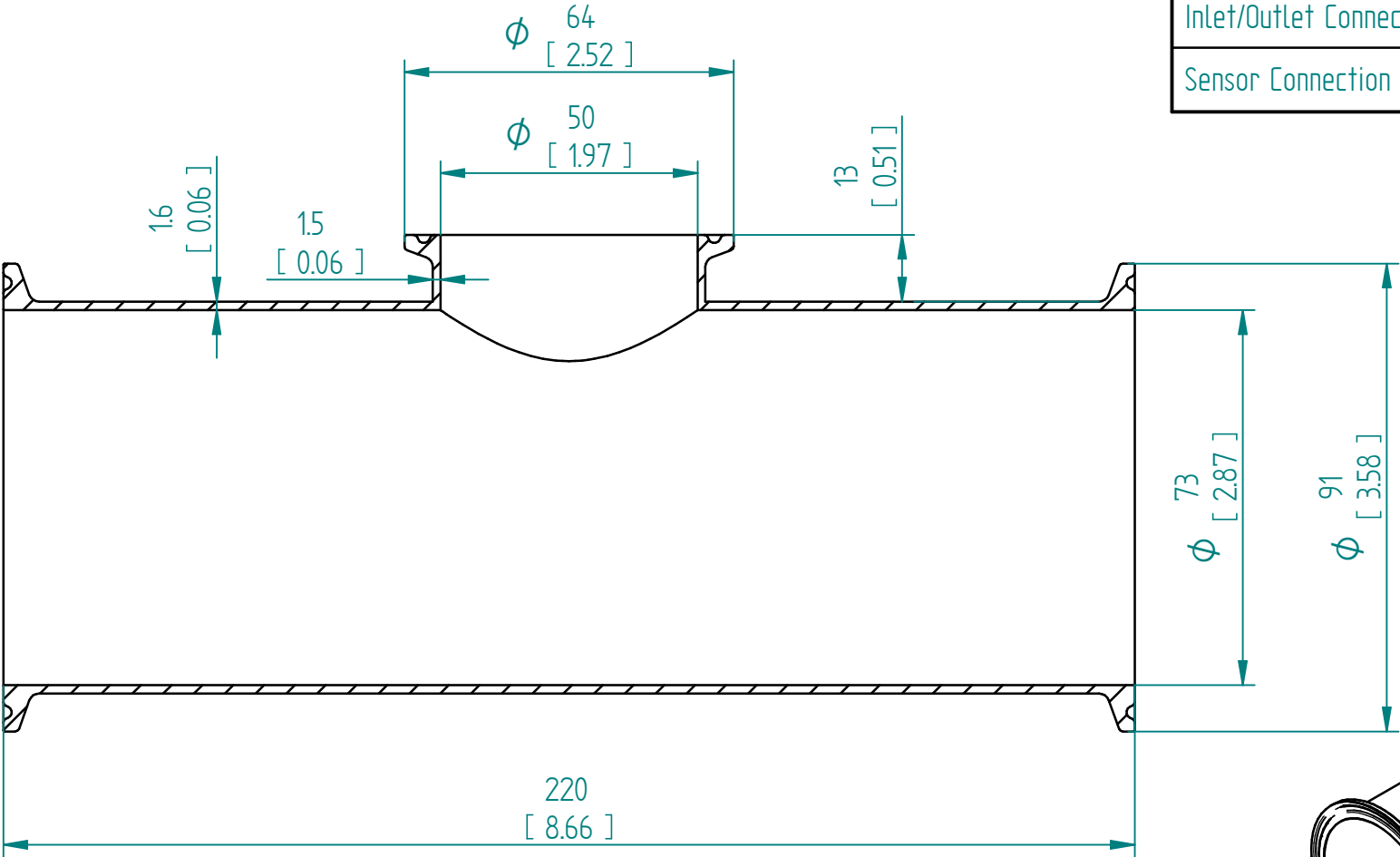


Tri-Clamp Spool Piece	
Adapter Order Code	FTP-20TS-30T
Inlet/Outlet Connection	Tri-Clamp 3"
Sensor Connection	Tri-Clamp 2"



Units: mm
[inch]

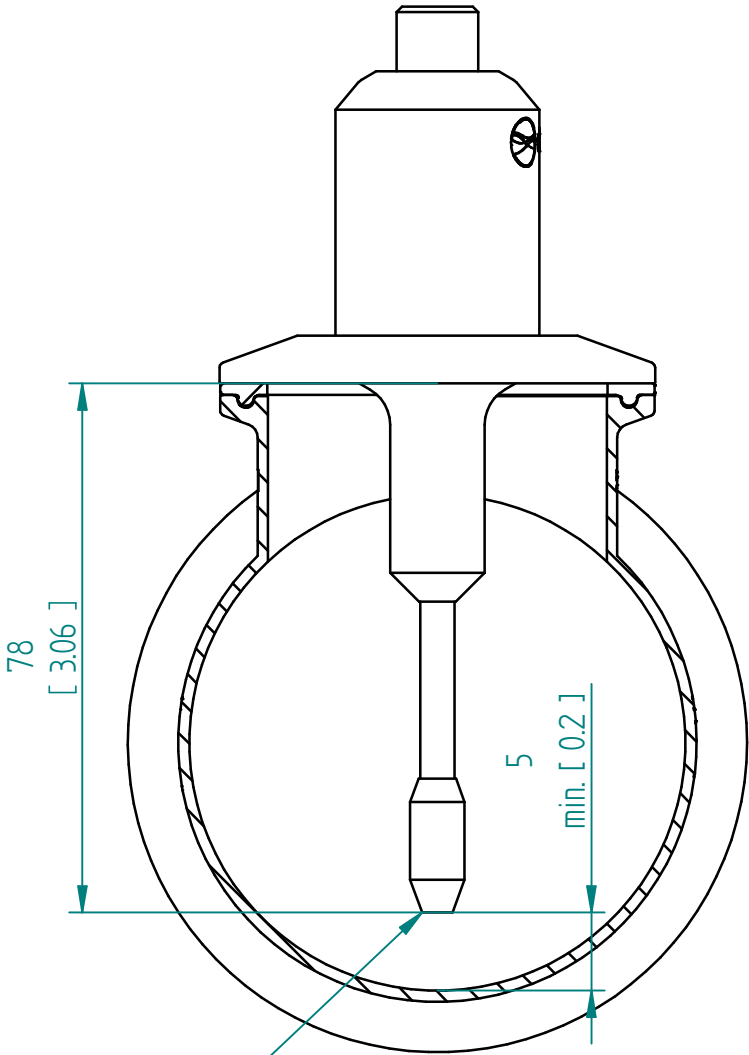
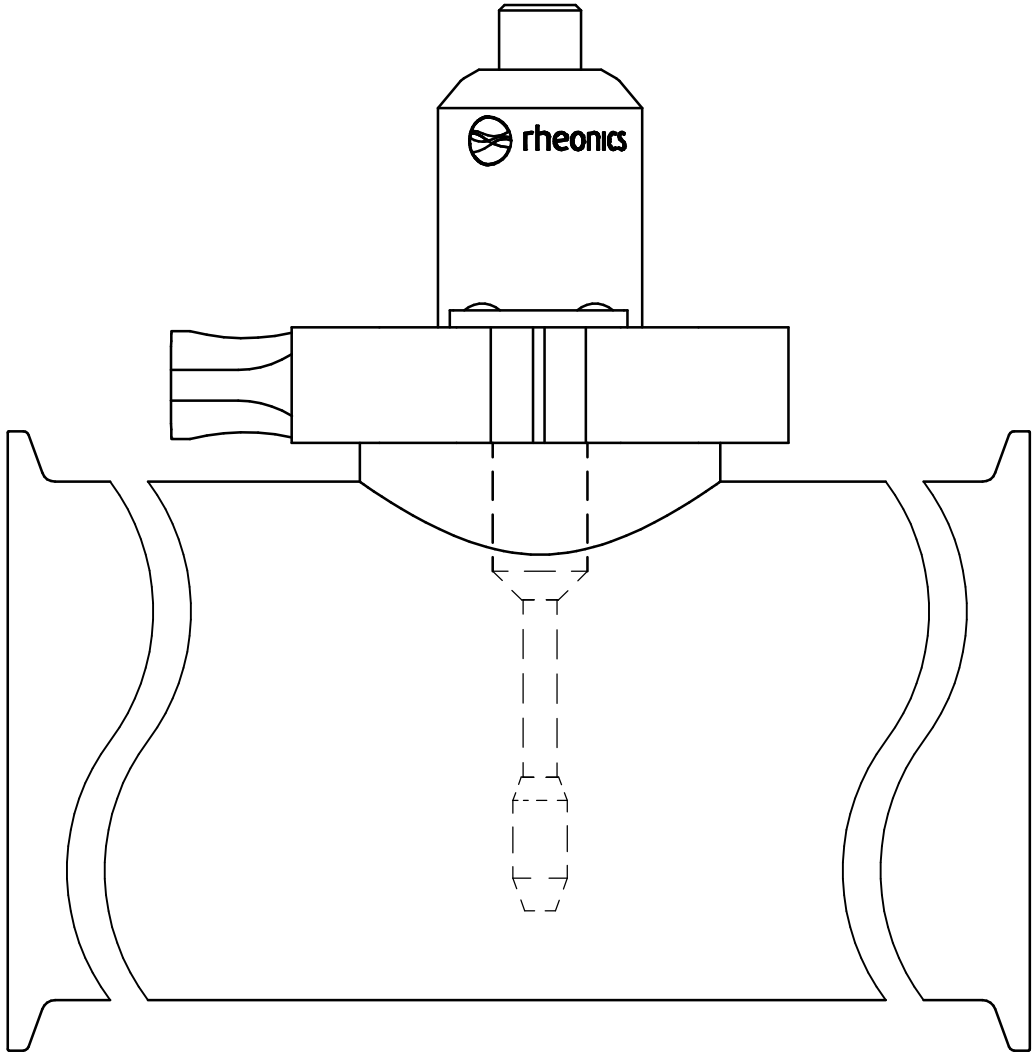
FTP-20TS-30T
Tri-Clamp Tee Spool Piece

This drawing remains property of rheonics. It may be neither copied nor informed to third persons or competitors without our approval. (2 paragraph 1 fig.7 copyright act of 9th Sept. 1965)



Protected by US and International patents granted and pending

SRV-HD-X3-20T



This accessory should not be used in fluids and applications where there is a chance of plugging at the base of the sensor.

Units: mm
[inch]

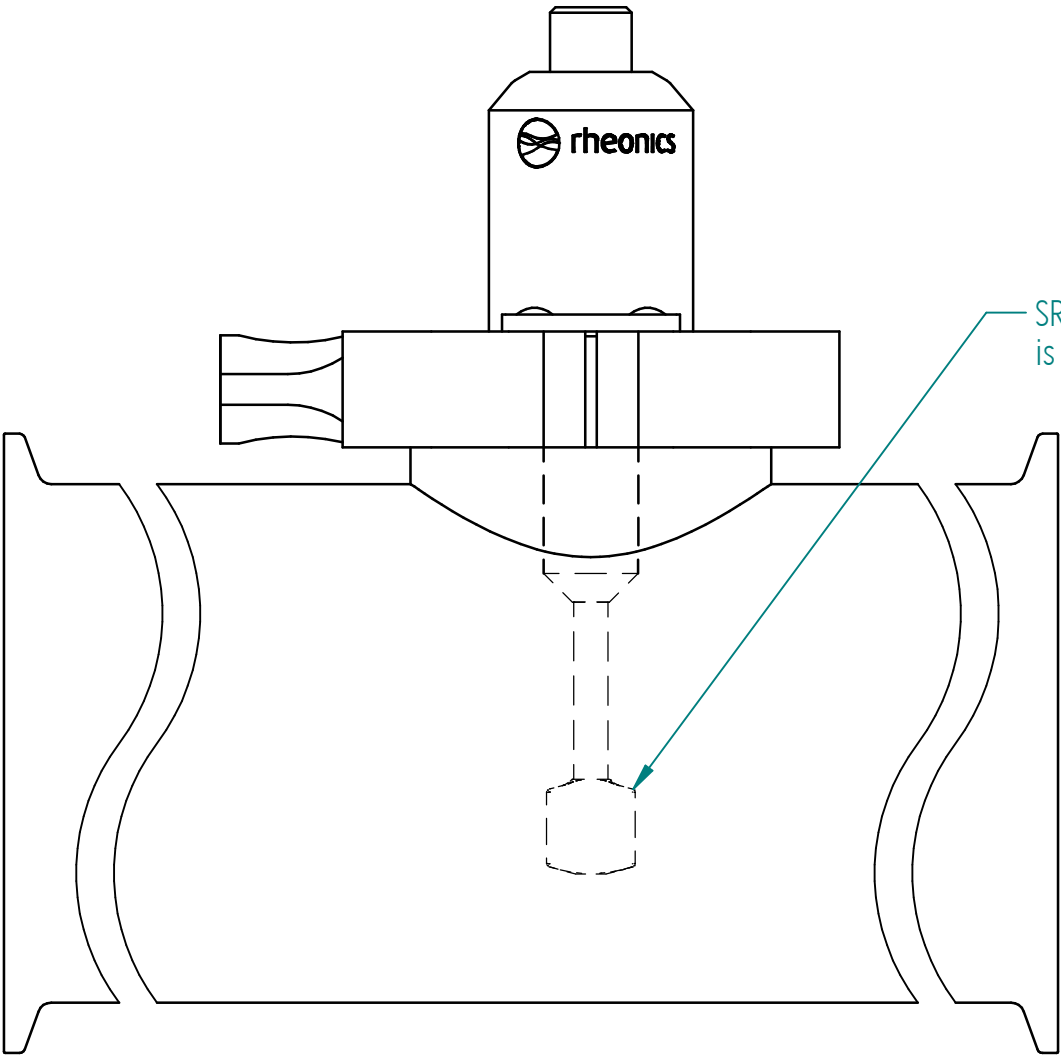


SRV Installation Drawing FTP-20TS-30T

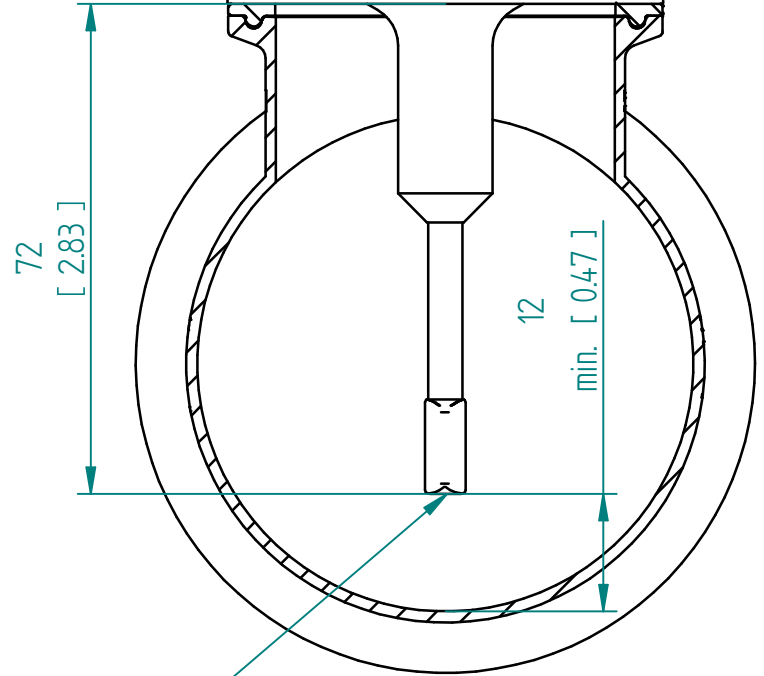
This drawing remains property of rheonics. It may be neither copied nor informed to third persons or competitors without our approval. (2 paragraph 1 fig.7 copyright act of 9th Sept. 1965)

Protected by US and International patents granted and pending

SRD-HD-X3-20T



SRD sensor paddle is parallel to the flow



This accessory should not be used in fluids and applications where there is a chance of plugging at the base of the sensor.

Units: mm [inch]

SRD Installation Drawing FTP-20TS-30T

This drawing remains property of rheonics. It may be neither copied nor informed to third persons or competitors without our approval. (2 paragraph 1 fig.7 copyright act of 9th Sept. 1965)



rheonics
inline process
density and viscosity
monitoring

Protected by US and International patents granted and pending