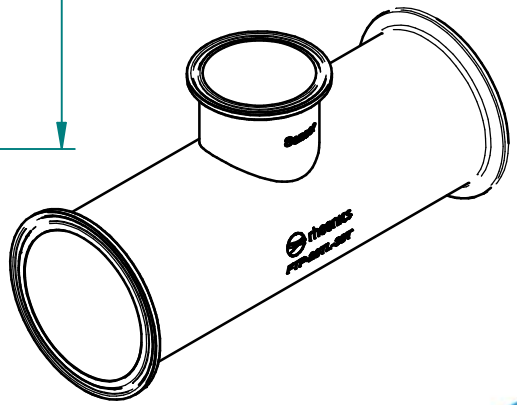
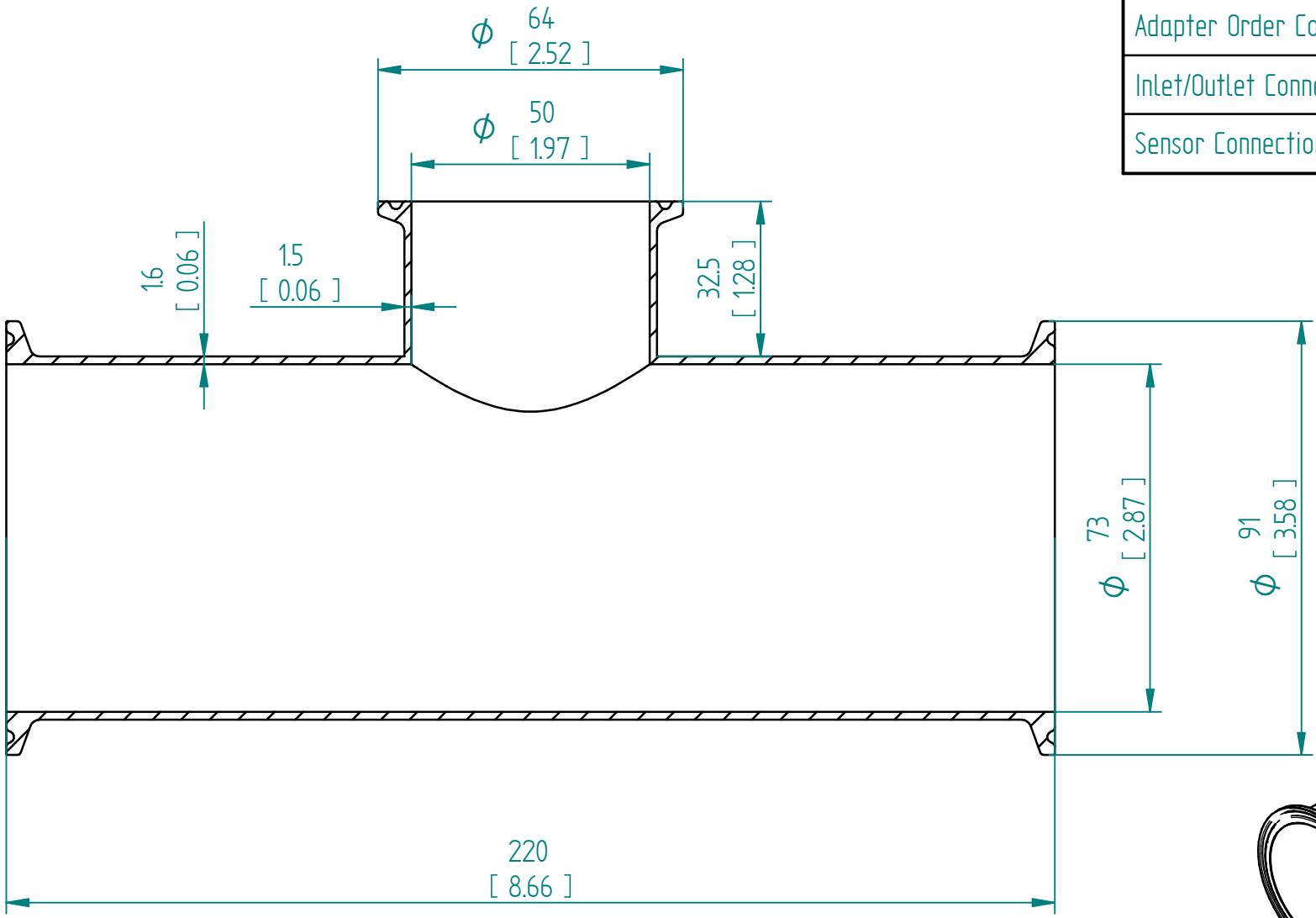


Tri-Clamp Spool Piece	
Adapter Order Code	FTP-20TL-30T
Inlet/Outlet Connection	Tri-Clamp 3"
Sensor Connection	Tri-Clamp 2"



Units: mm
[inch]

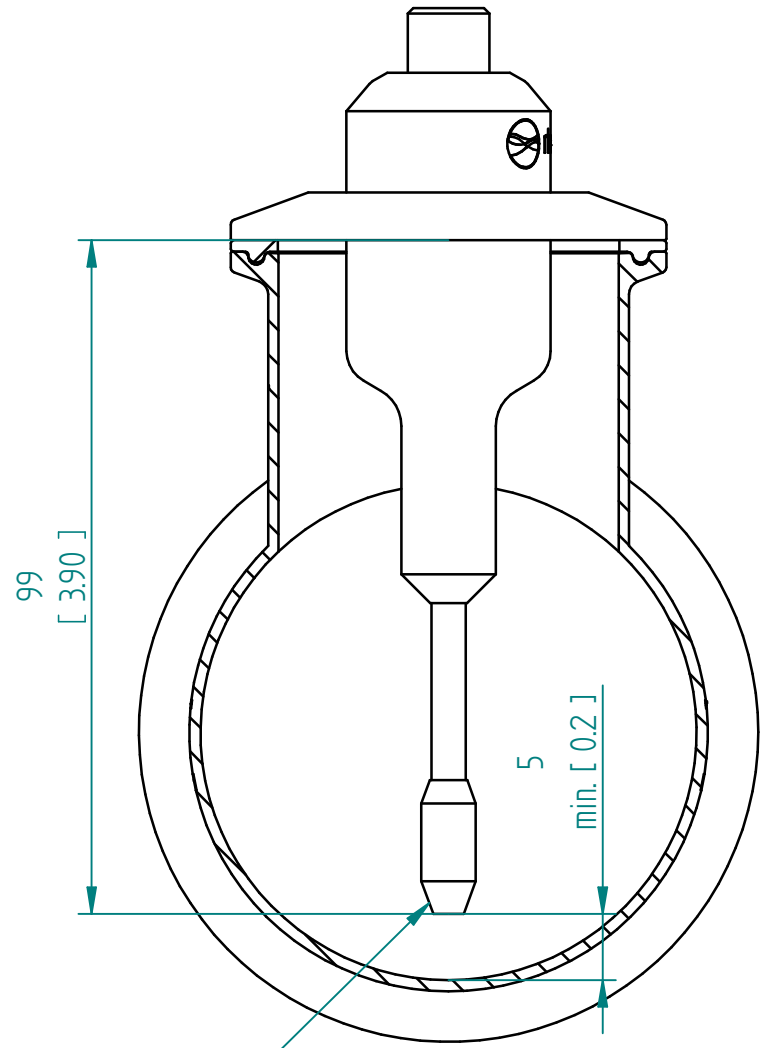
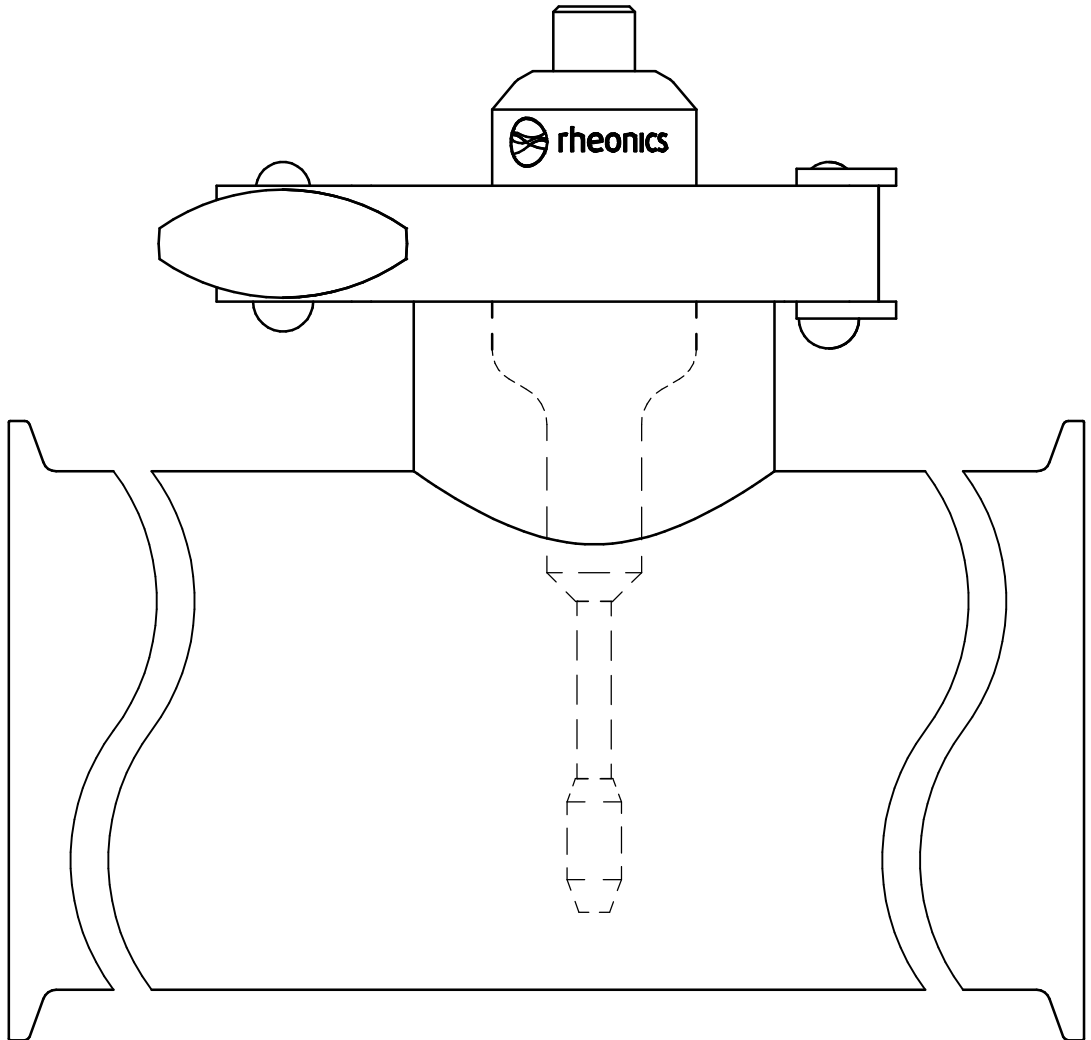
FTP-20TL-30T Tri-Clamp Tee Spool Piece

This drawing remains property of rheonics. It may be neither copied nor informed to third persons or competitors without our approval. (2 paragraph 1 fig.7 copyright act of 9th Sept. 1965)



Protected by US and International patents granted and pending

SRV-HD-X3-A99-20T



This accessory should not be used in fluids and applications where there is a chance of plugging at the base of the sensor.

Units: mm [inch]

SRV Installation Drawing FTP-20TL-30T

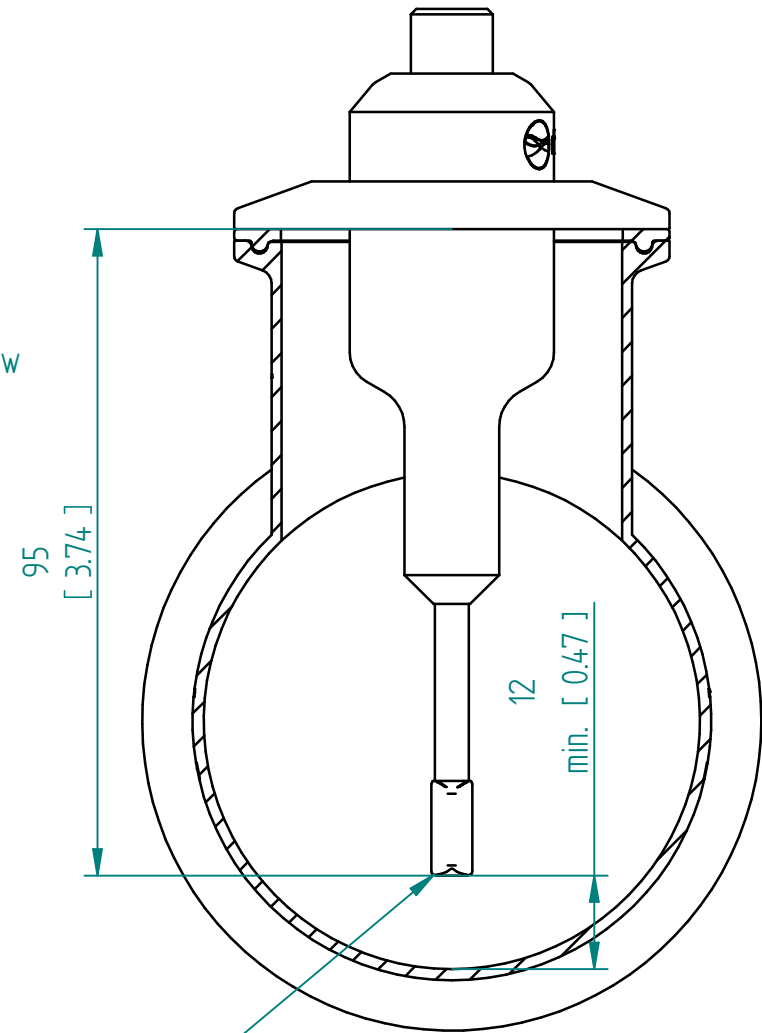
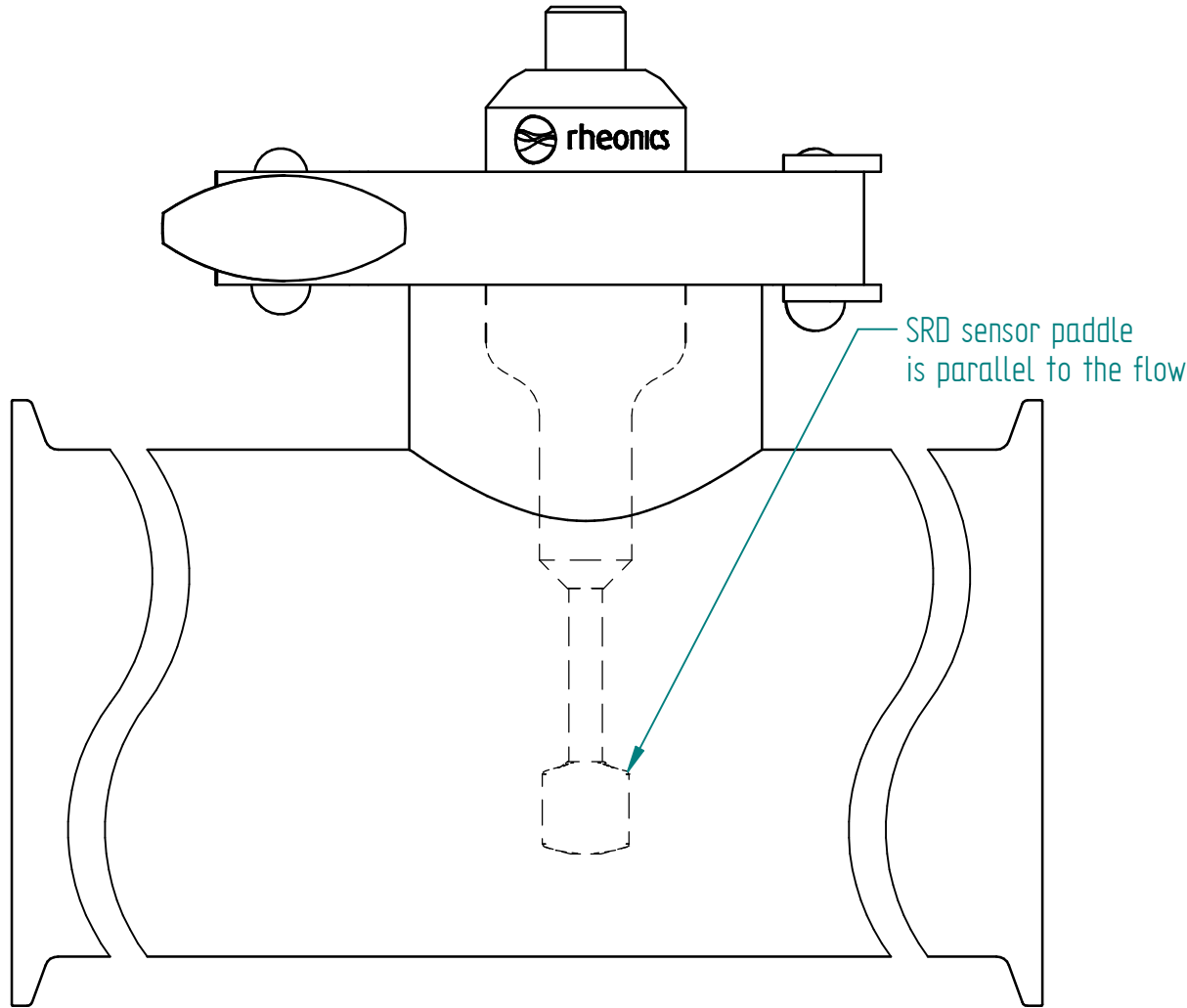
This drawing remains property of rheonics. It may be neither copied nor informed to third persons or competitors without our approval. (2 paragraph 1 fig.7 copyright act of 9th Sept. 1965)



rheonics
inline process
density and viscosity
monitoring

Protected by US and International patents granted and pending

SRD-HD-X3-A95-20T



This accessory should not be used in fluids and applications where there is a chance of plugging at the base of the sensor.

Units: mm
[inch]

SRD Installation Drawing FTP-20TL-30T

This drawing remains property of rheonics. It may be neither copied nor informed to third persons or competitors without our approval. (2 paragraph 1 fig.7 copyright act of 9th Sept. 1965)

