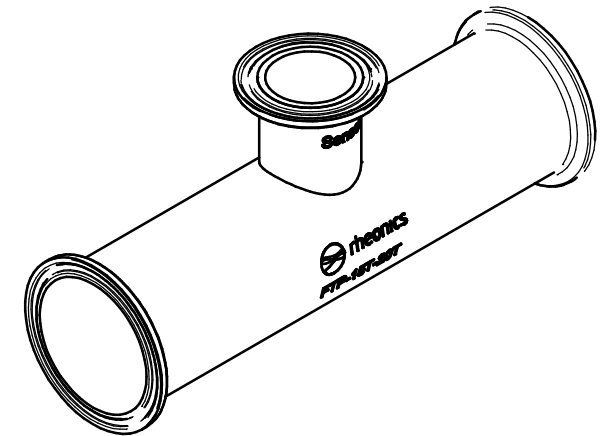


Tri-Clamp tee spool piece	
Adapter Order Code	FTP-15T-20T
Inlet/Outlet Connection	Tri-Clamp 2"
Sensor Connection	Tri-Clamp 1.5"
Norm	DIN 32676



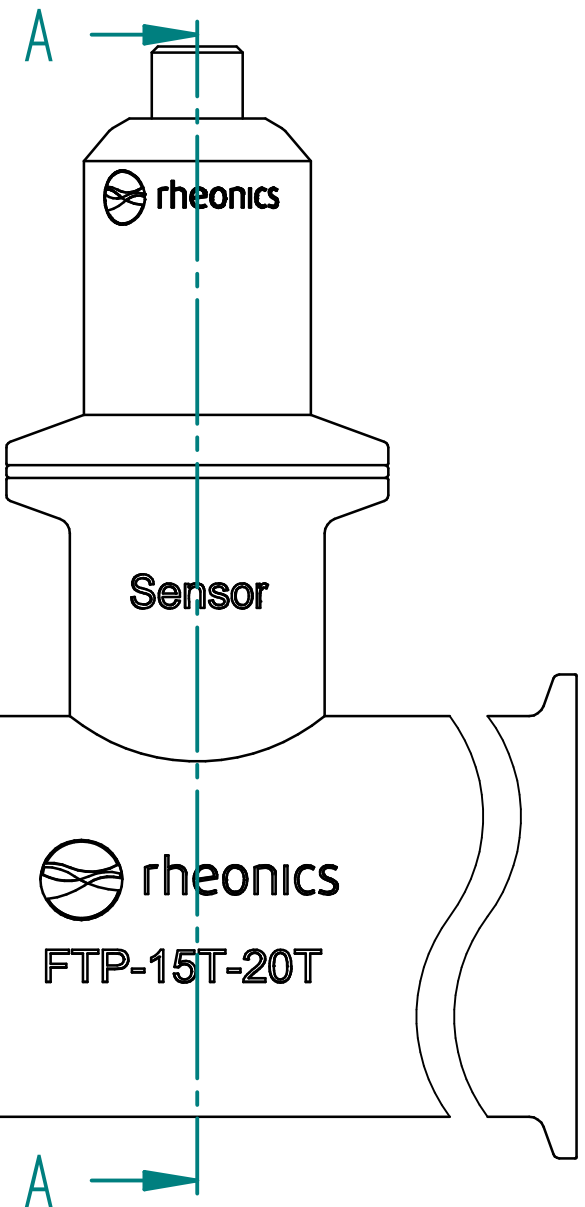
Units: mm  
[inch]

## FTP-15T-20T Tri-Clamp tee spool piece

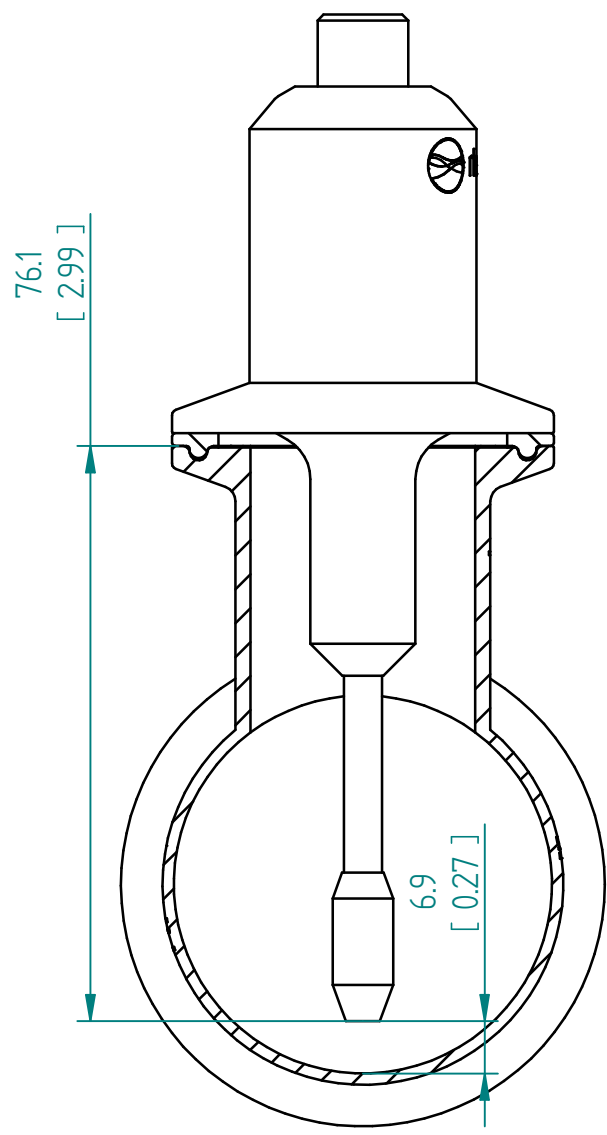
This drawing remains property of rheonics. It may be neither copied nor informed to third persons or competitors without our approval. ( 2 paragraph 1 fig.7 copyright act of 9th Sept. 1965)



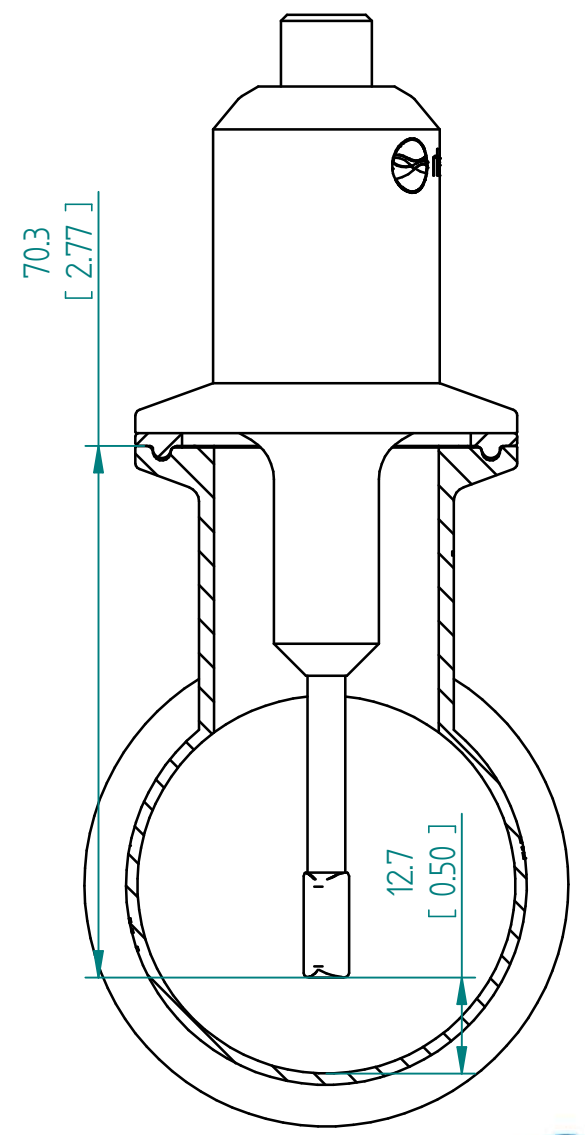
Protected by US and International patents granted and pending



SRV-X3-15T



SRD-X3-15T



Units: mm  
[inch]

# Installation Drawing FTP-15T-20T

This drawing remains property of rheonics. It may be neither copied nor informed to third persons or competitors without our approval. ( 2 paragraph 1 fig.7 copyright act of 9th Sept. 1965)



Protected by US and International patents granted and pending