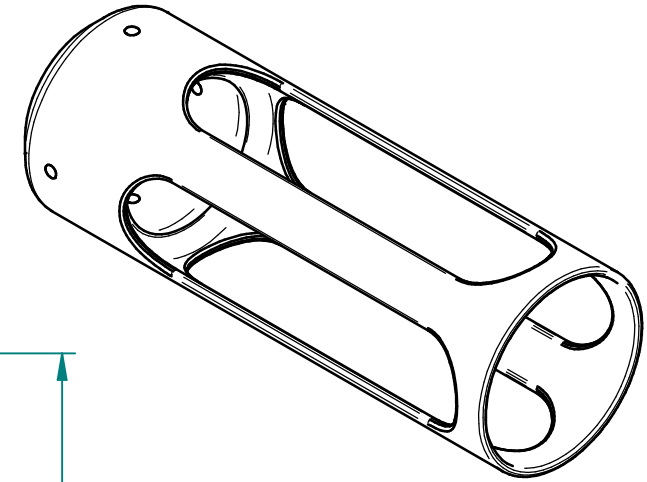
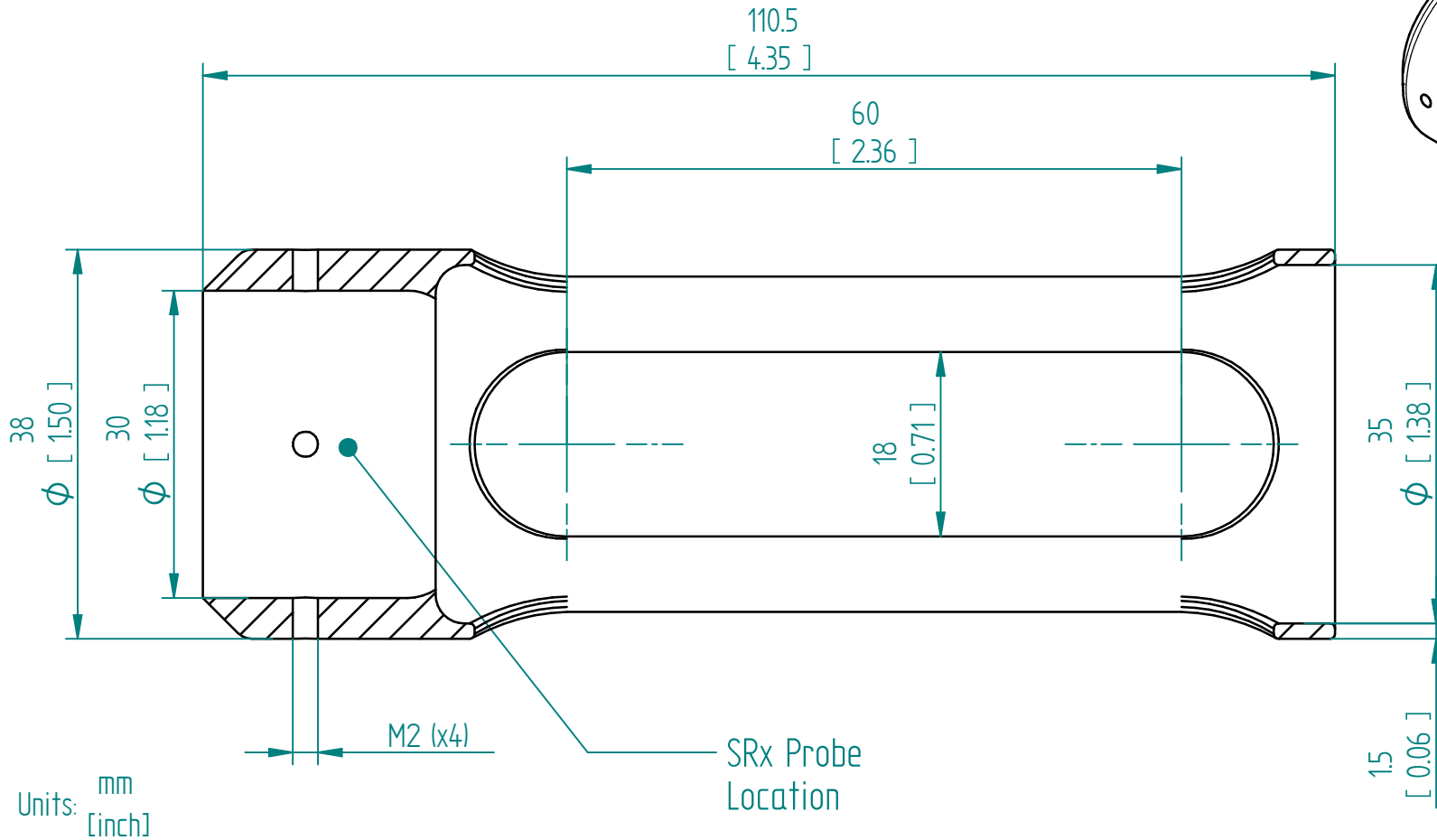


SPS-HD-SRX	
Material	316L
Compatible with	SRx (SRV and SRD) -HD-X5
Spare parts included	M2 Bolts (x4)

Use of this accessory may lead to plugging of the sensing element, care must be taken to only use where plugging risk is low, ideally in low viscosity environment where fluid transfer is high. Only use when there is a risk of damage due to external surfaces hitting the sensing element.



SPS-HD-SRX Fluid End Protective Sleeve

This drawing remains property of rheonics. It may be neither copied nor informed to third persons or competitors without our approval. (2 paragraph 1 fig.7 copyright act of 9th Sept. 1965)

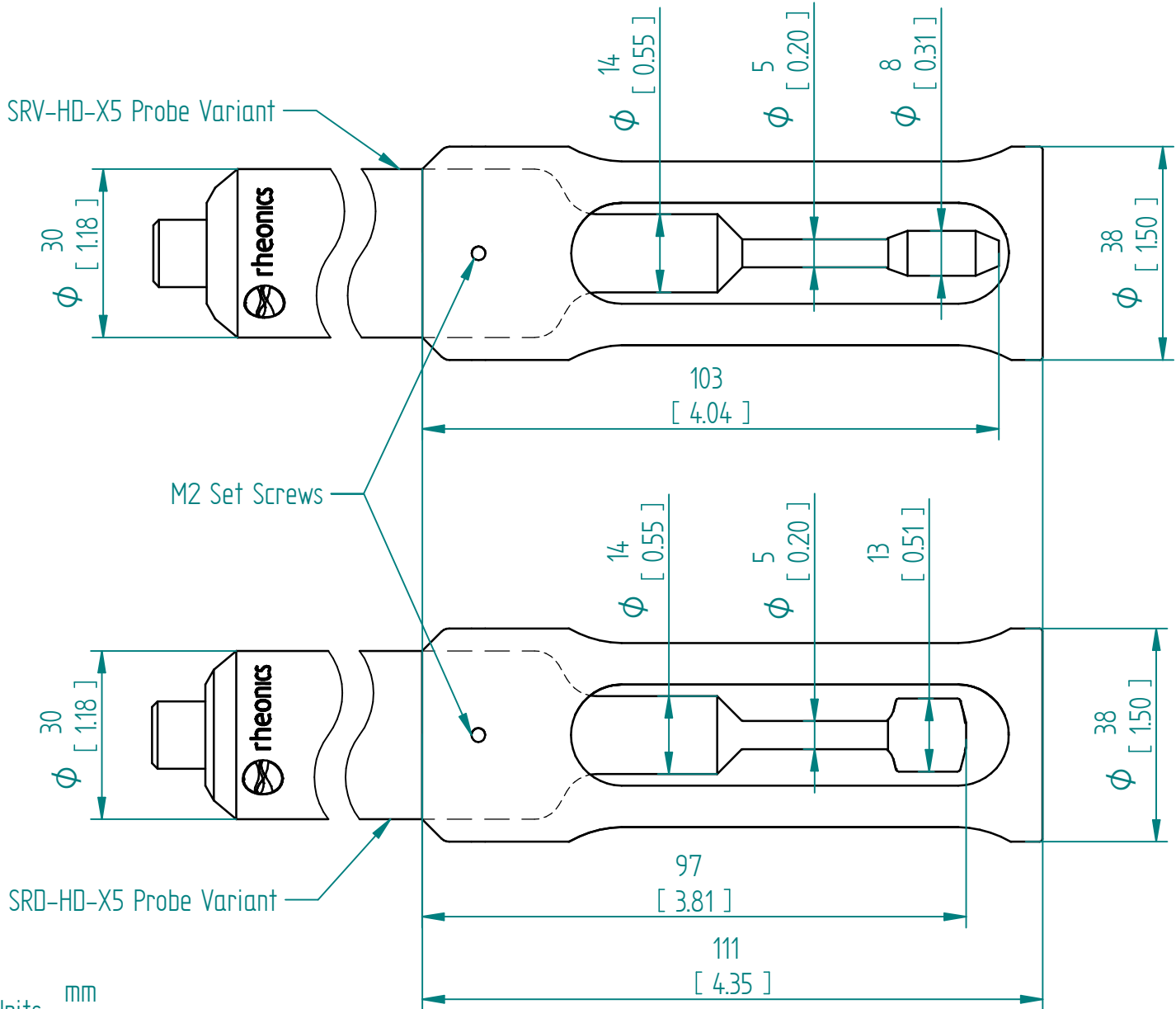
Protected by US and International patents granted and pending

rheonics • Switzerland • USA • www.rheonics.com • info@rheonics.com +41 52 511 32 00 +1 713 364 5427

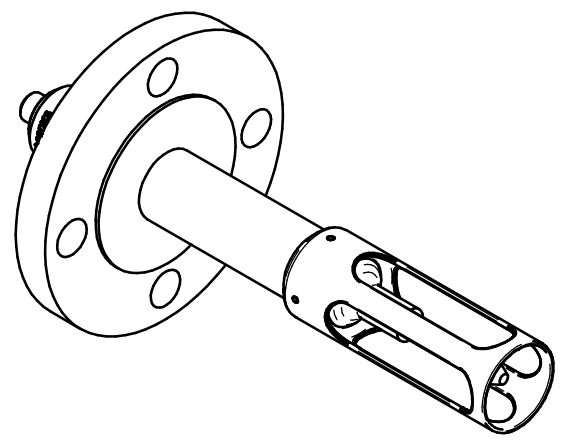
Release: 2411

rheonics 

inline process
density and viscosity
monitoring



Rheonics Type-SR Sensor Probes	
Material	316L
Accessory	SPS-HD-SRX
Compatible with	SRV-HD-X5 / SRD-HD-X5



SPS-HD-SRX Fluid End Protective Sleeve

This drawing remains property of rheonics. It may be neither copied nor informed to third persons or competitors without our approval. (2 paragraph 1 fig.7 copyright act of 9th Sept. 1965)



Protected by US and International patents granted and pending