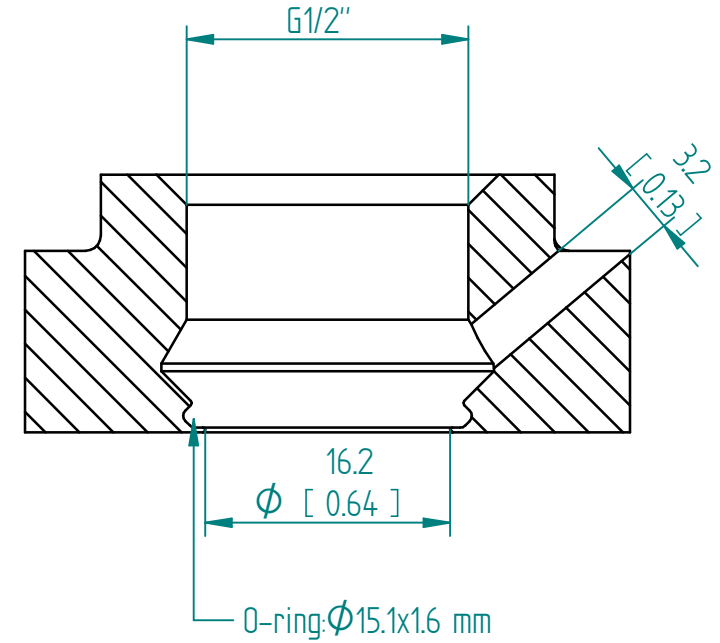
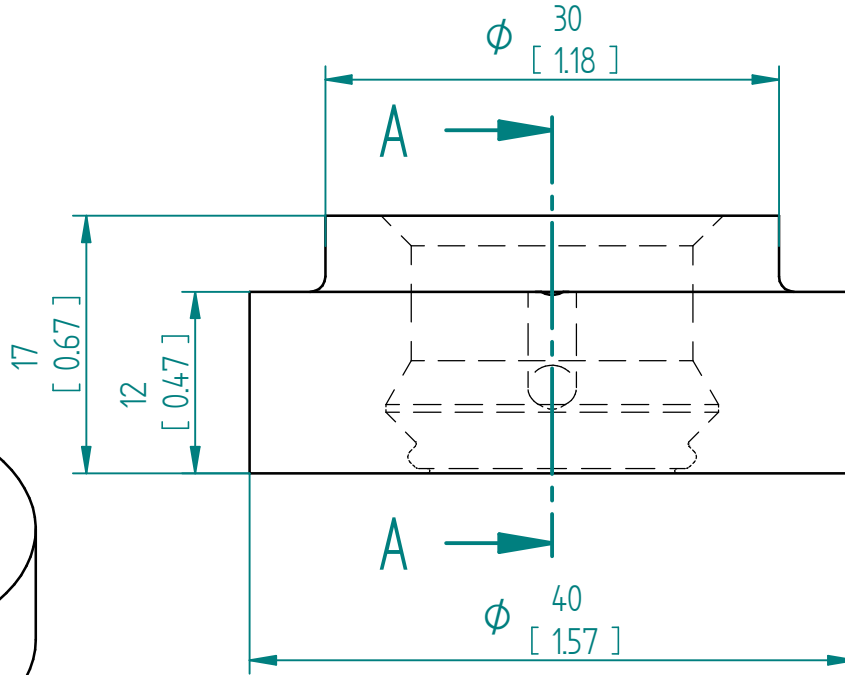
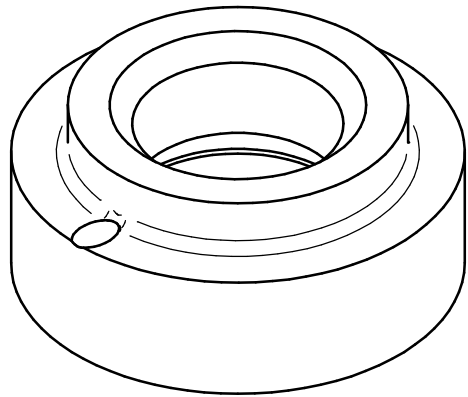


HAW-12G-OTK2

Material	316L
Thread	G 1/2"



Section A-A

Units: mm  
[inch]

## HAW-12G-OTK2 G1/2" Thick O-Ring Seal Weldolet

This drawing remains property of rheonics. It may be neither copied nor informed to third persons or competitors without our approval. ( 2 paragraph 1 fig.7 copyright act of 9th Sept. 1965)

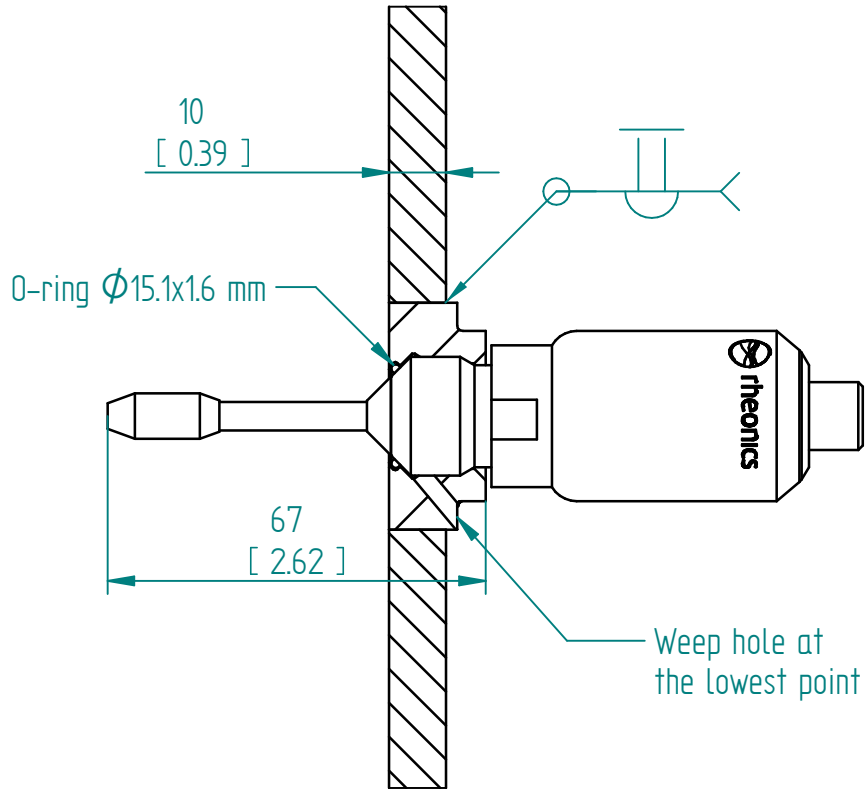


Protected by US and International patents granted and pending

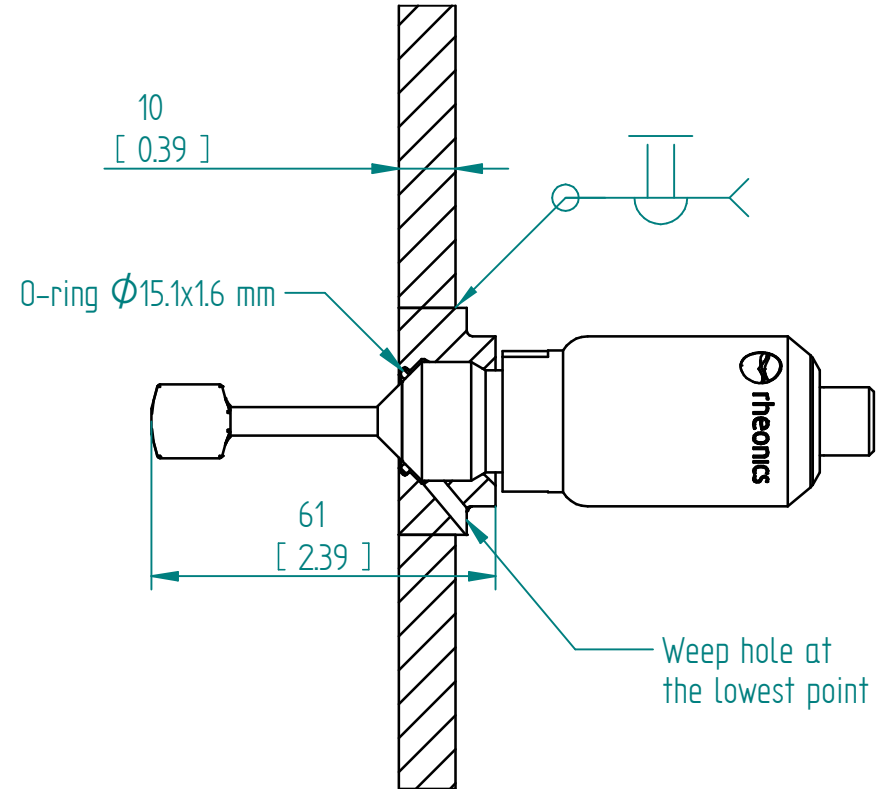
rheonics • Switzerland • USA • www.rheonics.com • info@rheonics.com +41 52 511 32 00 +1 713 364 5427

Release: 2501

# SRV-X1-12G



# SRD-X1-12G



Units: mm  
[inch]

## HAW-12G-OTK2 Installation Drawing

This drawing remains property of rheonics. It may be neither copied nor informed to third persons or competitors without our approval. ( 2 paragraph 1 fig.7 copyright act of 9th Sept. 1965)



Protected by US and International patents granted and pending

rheonics • Switzerland • USA • www.rheonics.com • info@rheonics.com +41 52 511 32 00 +1 713 364 5427

Release: 2501