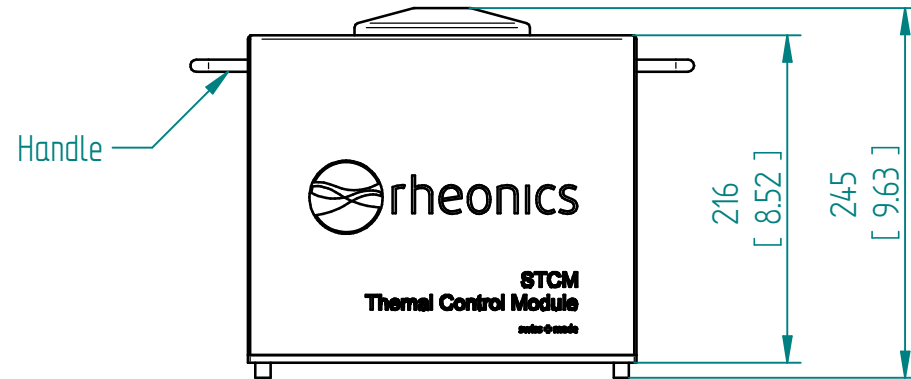
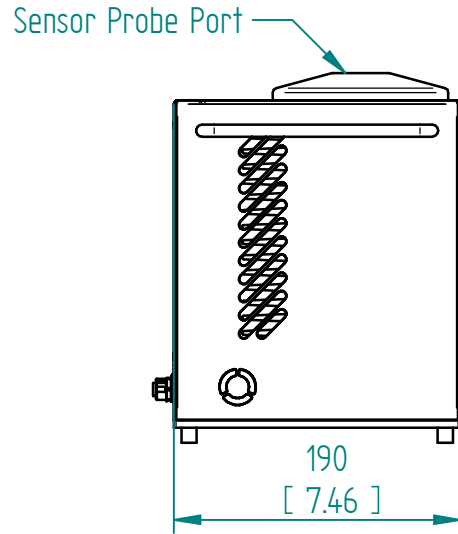
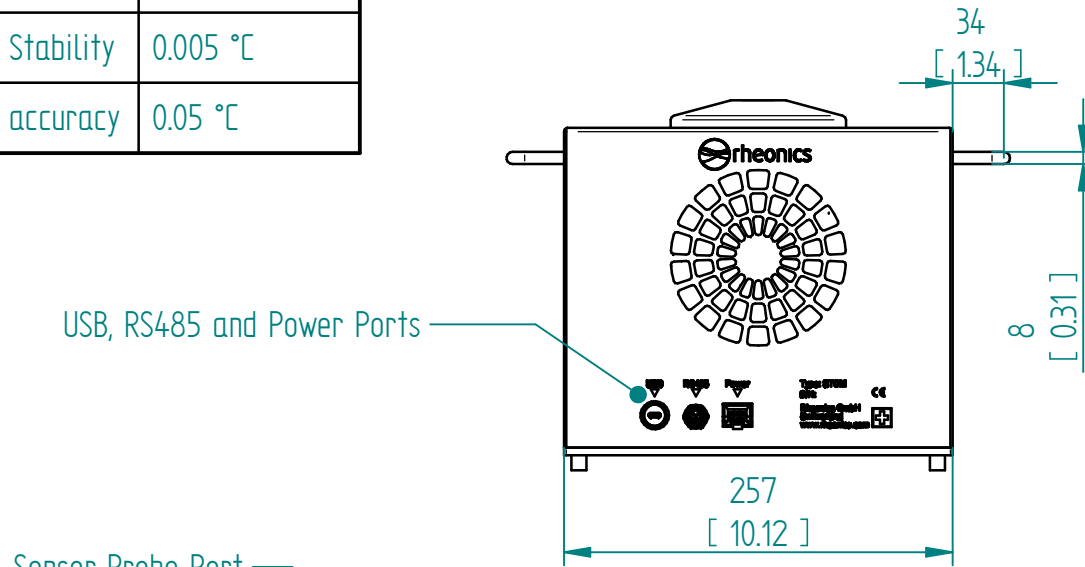
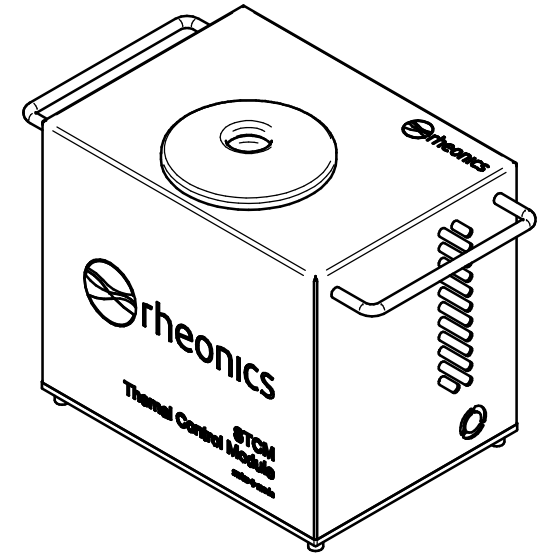


Specifications	
Weight	9.5 Kg (21 lb)
Temperature Range	10 °C to 150 °C
Temperature Stability	0.005 °C
Temperature accuracy	0.05 °C



Units: mm
[inch]

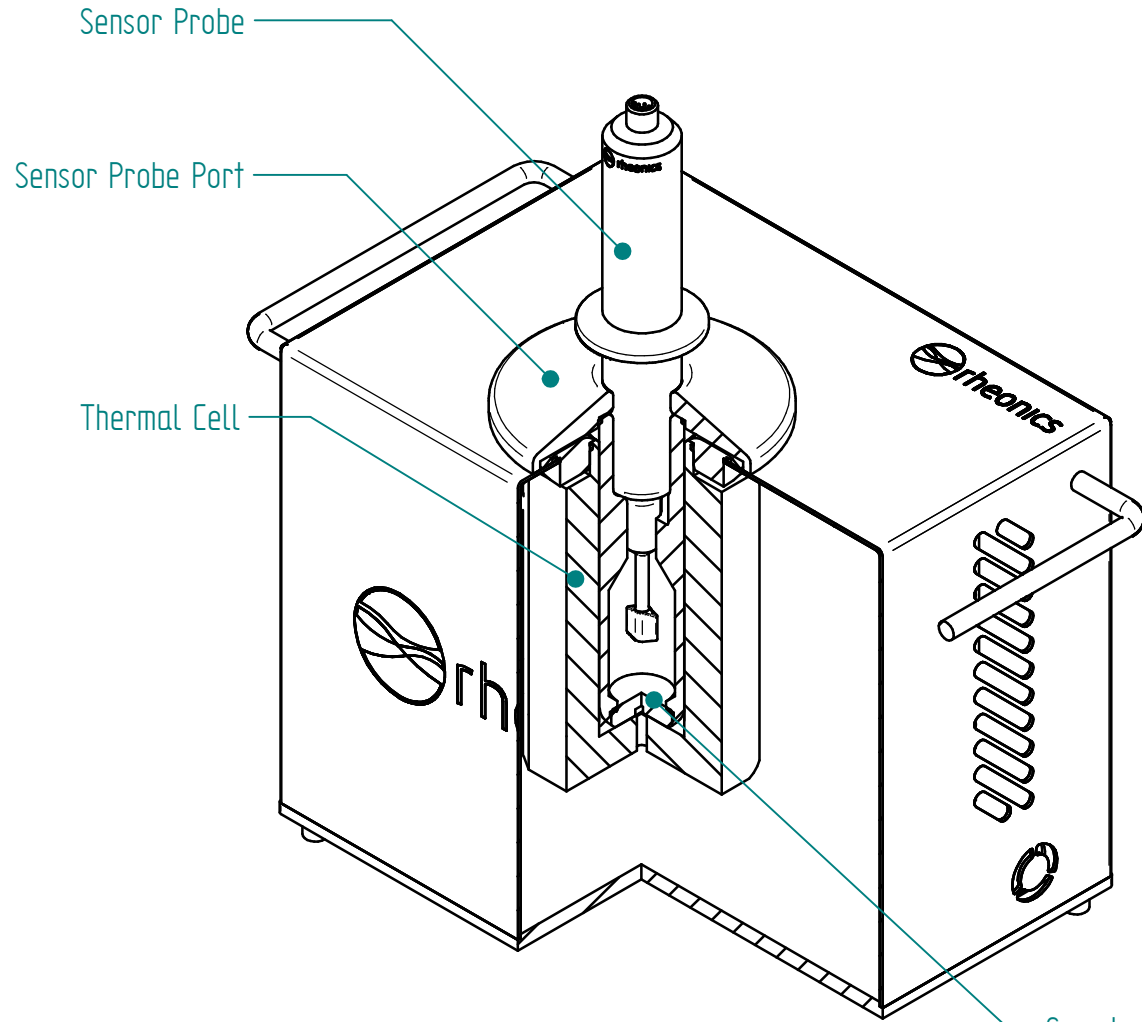
Rheonics STCM - PL Type-SR Thermal Control Module

This drawing remains property of rheonics. It may be neither copied nor informed to third persons or competitors without our approval. (2 paragraph 1 fig.7 copyright act of 9th Sept. 1965)



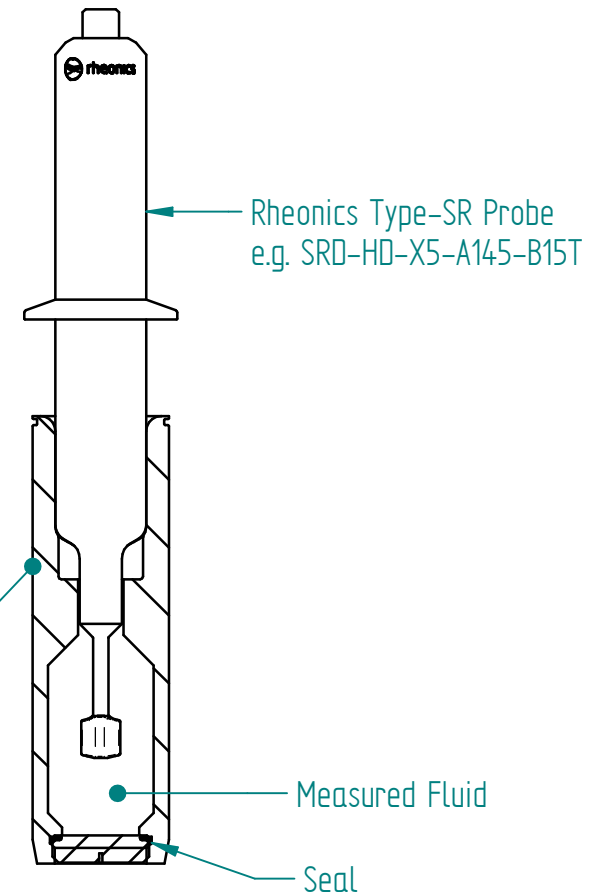
inline process
density and viscosity
monitoring

Assembled View



Interchangeable and Removable
Changes according to probe variant

Sample Cylinder Detail View



Units: mm
[inch]

Rheonics STCM - PL Type-SR Thermal Control Module

This drawing remains property of rheonics. It may be neither copied nor informed to third persons or competitors without our approval. (2 paragraph 1 fig.7 copyright act of 9th Sept. 1965)



inline process
density and viscosity
monitoring

Protected by US and International patents granted and pending

rheonics • Switzerland • USA • www.rheonics.com • info@rheonics.com +41 52 511 32 00 +1 713 364 5427

Release: 2412