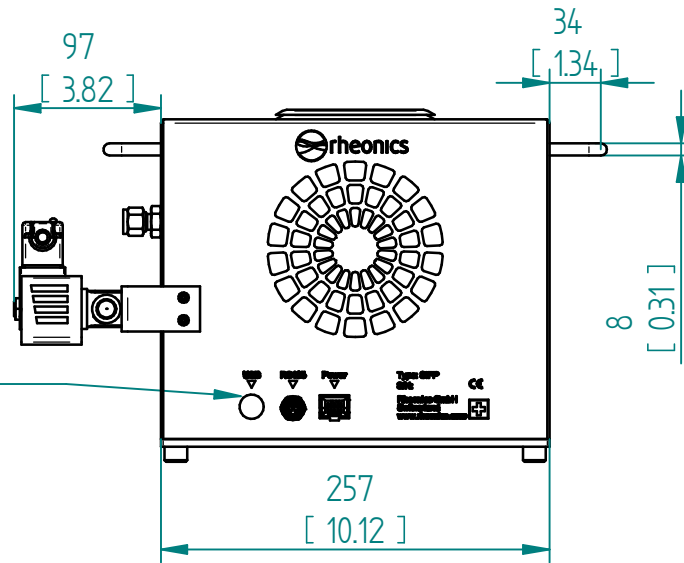
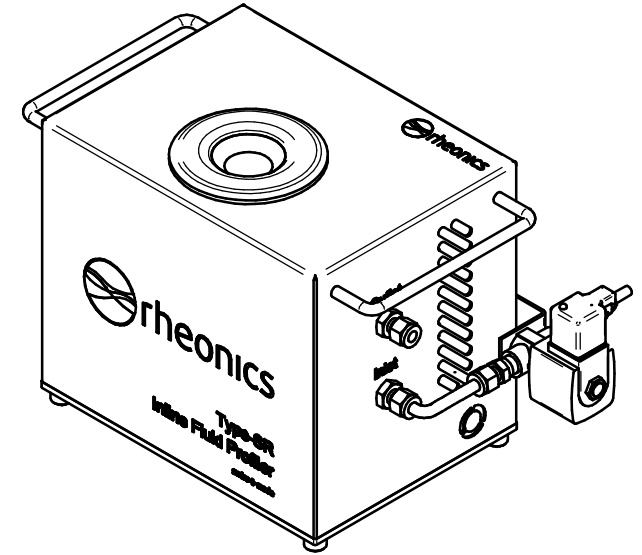
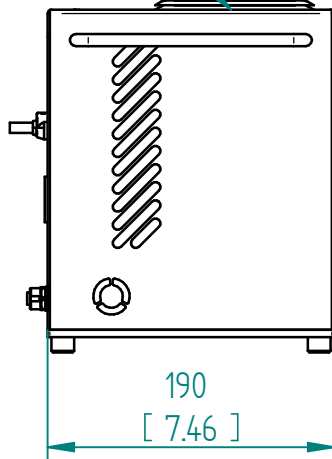


Specifications	
Weight	9.5 Kg (21 lb)
Temperature Range	10°C to 150°C
Temperature Stability	0.005 °C
Temperature accuracy	0.05 °C



USB, RS485 and Power Ports

Sensor Probe Port



Handle

Outlet Fitting for 8mm tube

Inlet Valve to 8mm tube

Units: mm
[inch]

Rheonics STCM - IFP

Inline Fluid Profiler

This drawing remains property of rheonics. It may be neither copied nor informed to third persons or competitors without our approval. (2 paragraph 1 fig.7 copyright act of 9th Sept. 1965)

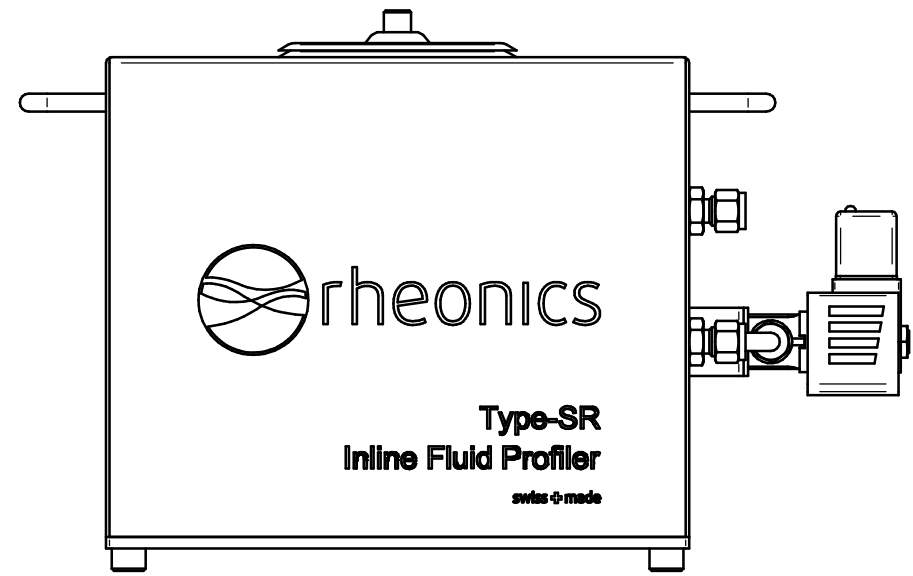
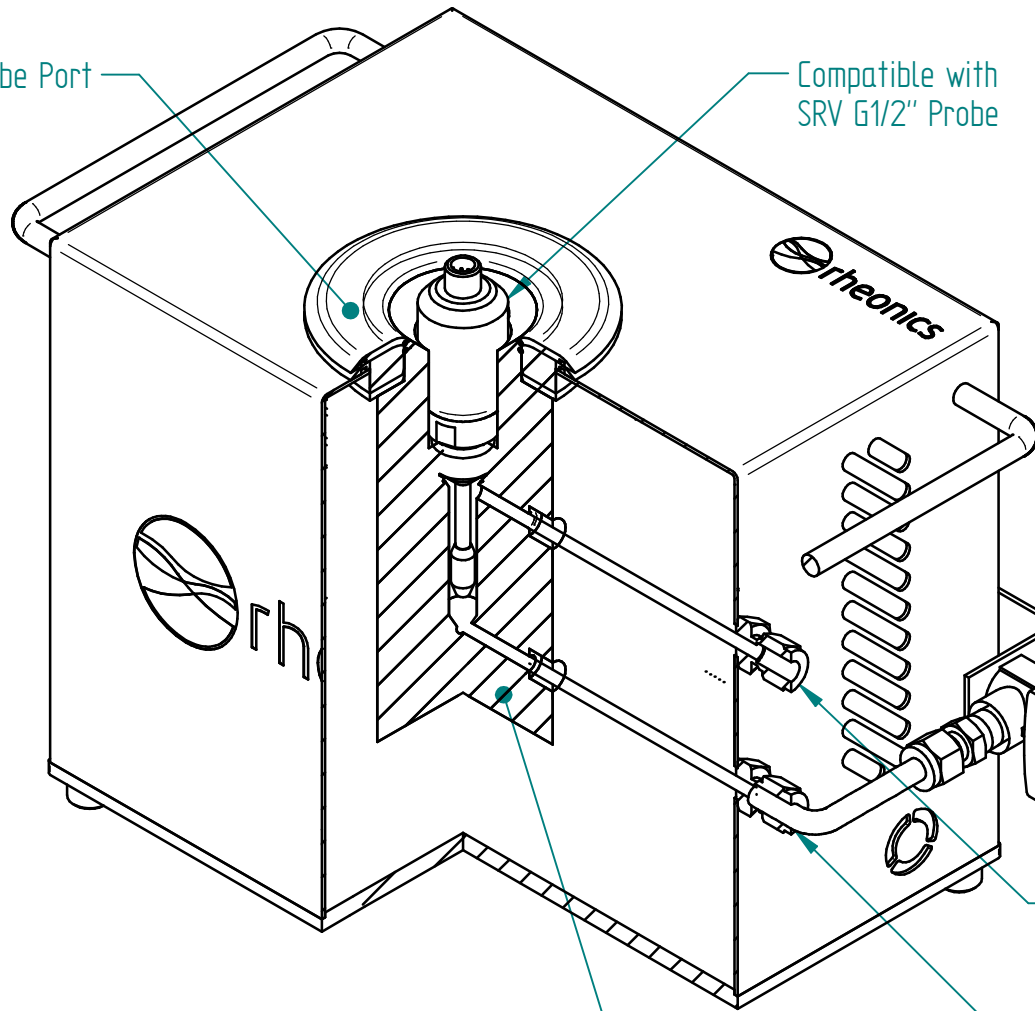


inline process
density and viscosity
monitoring

Assembled View

Sensor Probe Port

Compatible with SRV G1/2" Probe



Connection to fluid line

Inlet Valve

Fluid Outlet Port

Fluid Inlet Port

Units: mm
[inch]

Rheonics STCM - IFP Inline Fluid Profiler

This drawing remains property of rheonics. It may be neither copied nor informed to third persons or competitors without our approval. (2 paragraph 1 fig.7 copyright act of 9th Sept. 1965)



inline process
density and viscosity
monitoring

Protected by US and International patents granted and pending

rheonics • Switzerland • USA • www.rheonics.com • info@rheonics.com +41 52 511 32 00 +1 713 364 5427

Release: 2412