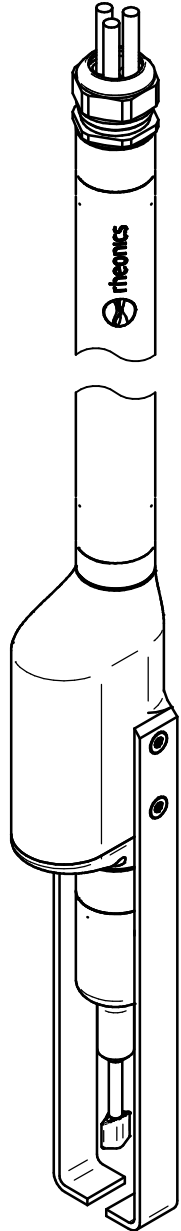
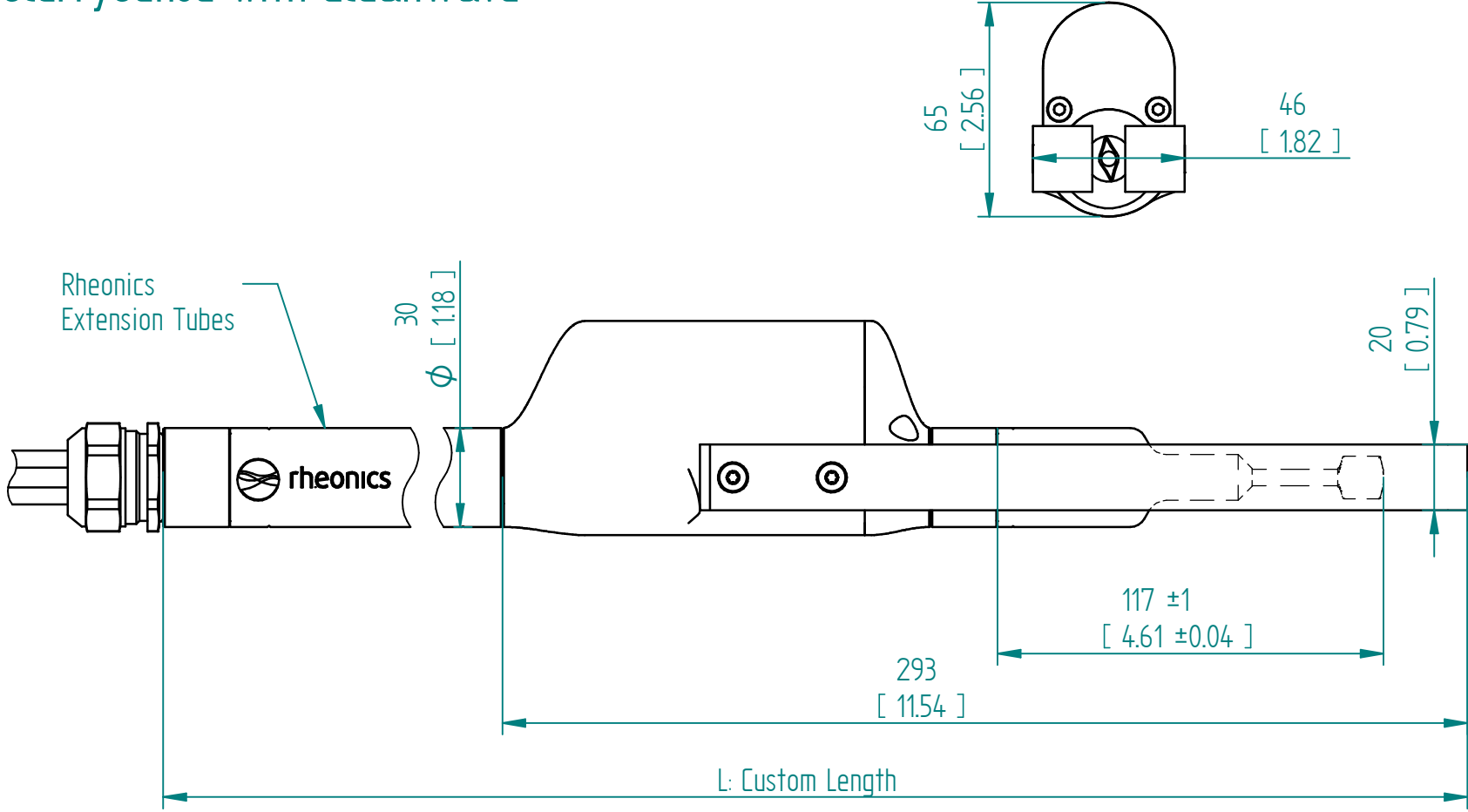


Rheonics SRD SlurrySense	
Material	Stainless Steel 316

# SlurrySense with CleanWave™



Units: mm [inch]

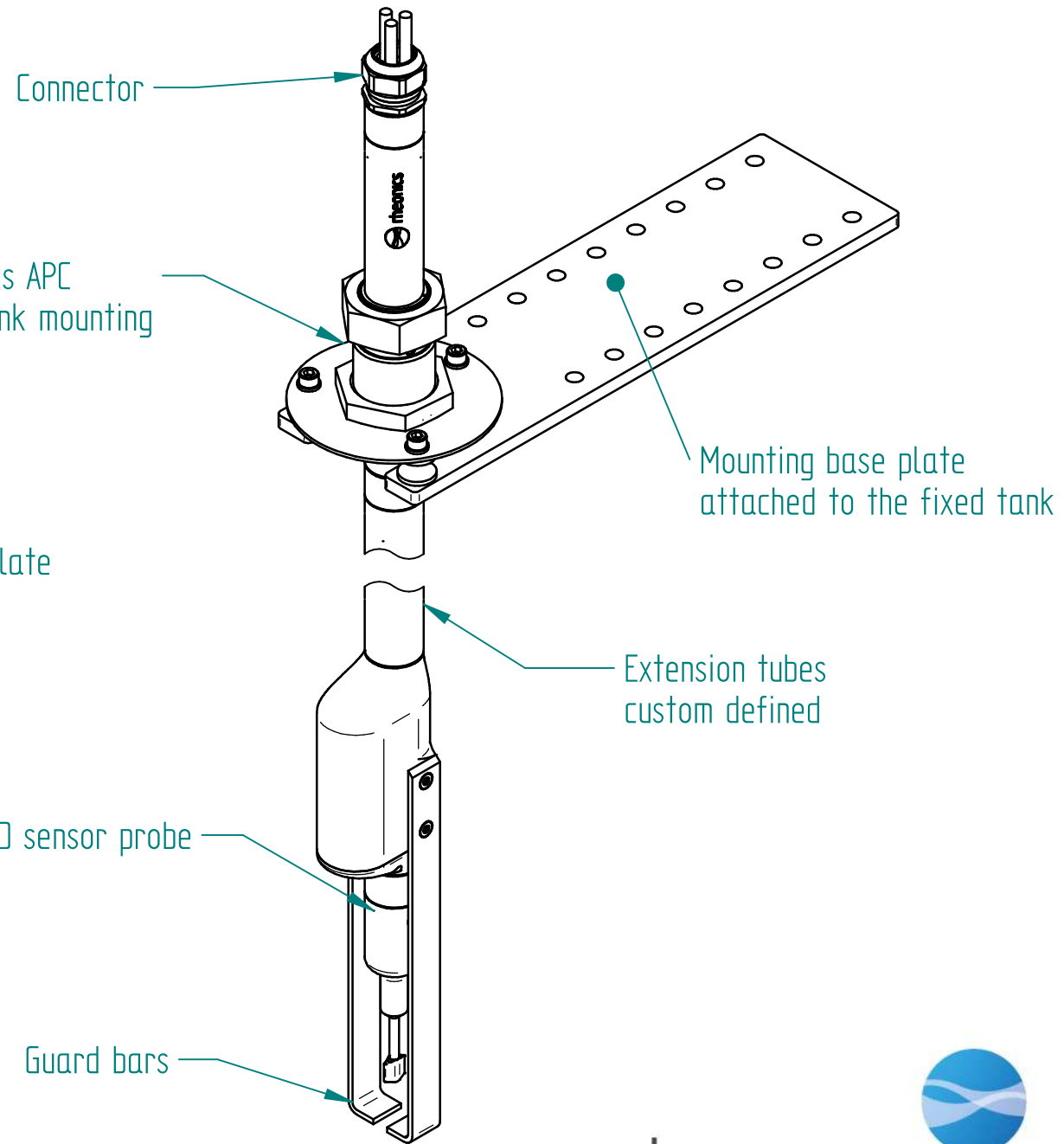
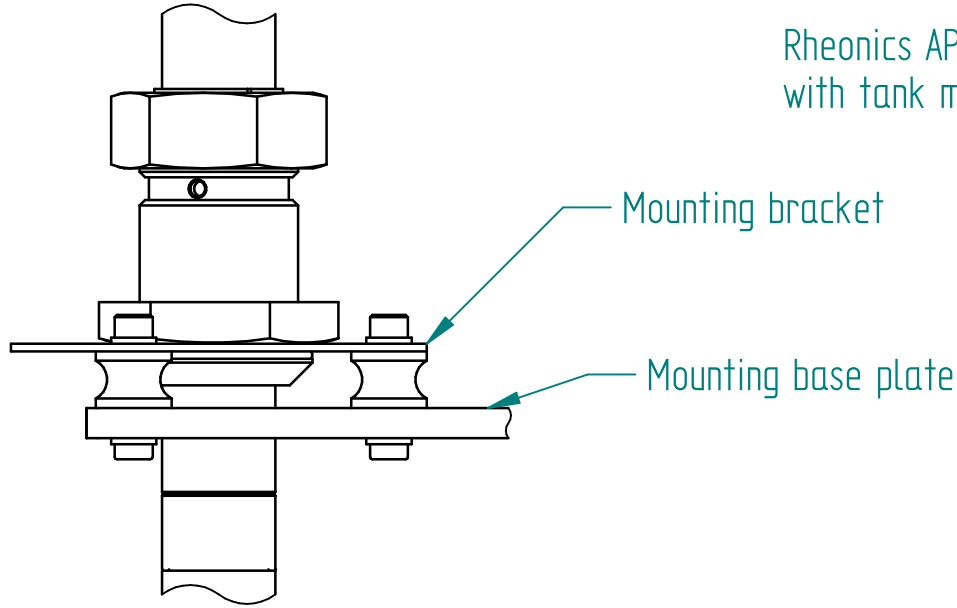
**Rheonics SRD Slurrysense**

This drawing remains property of rheonics. It may be neither copied nor informed to third persons or competitors without our approval. ( 2 paragraph 1 fig.7 copyright act of 9th Sept. 1965)



Protected by US and International patents granted and pending

Rheonics SRD SlurrySense	
Material	Stainless Steel 316



Units: mm  
[inch]

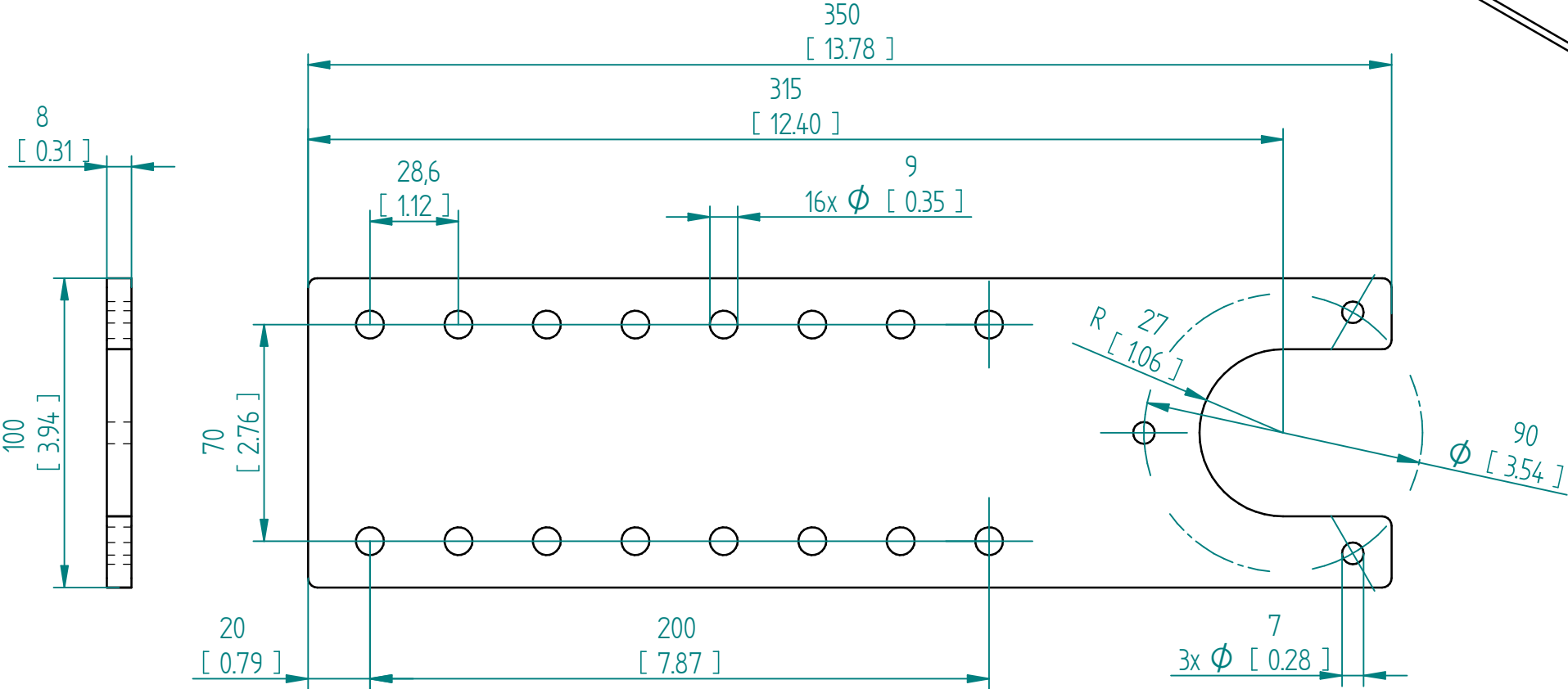
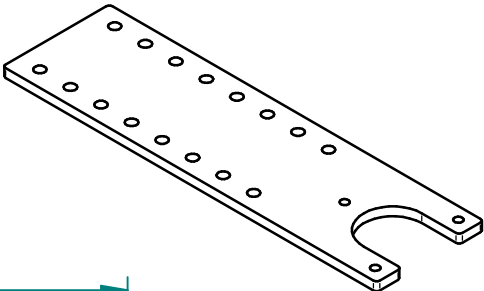
# Rheonics SRD Slurrysense Installation

This drawing remains property of rheonics. It may be neither copied nor informed to third persons or competitors without our approval. ( 2 paragraph 1 fig.7 copyright act of 9th Sept. 1965)



Protected by US and International patents granted and pending

Mount the base plate using the holes. Use M8 bolt. Recommended that the base plate is mounted to the non-rotating tank, that creates a stable, safe mount for the sensor.



Units: mm [inch]

# Rheonics SRD Slurrysense Mounting base plate

This drawing remains property of rheonics. It may be neither copied nor informed to third persons or competitors without our approval. ( 2 paragraph 1 fig.7 copyright act of 9th Sept. 1965)



Protected by US and International patents granted and pending