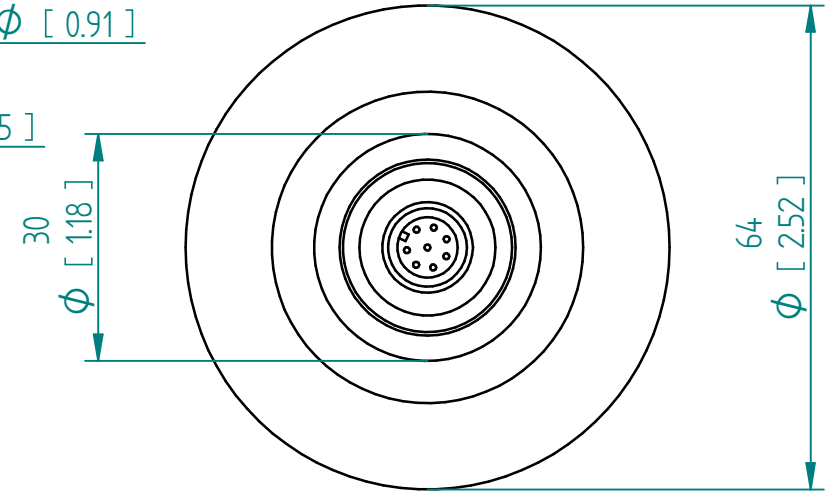


Pressure-Rating of the sensor probe	As specified in order confirmation
Material	316L
Process connection	Tri-Clamp 2"
Compatible with	ISO1127 DN 32 / 40
	DIN 32676 DN 50
	ASME-BPE 2"
Order Code	SRD-HD-X3-20T



Units: mm  
[inch]

## SRD-HD-X3-20T Tri Clamp 2"

This drawing remains property of rheonics. It may be neither copied nor informed to third persons or competitors without our approval. ( 2 § paragraph 1 fig.7 copyright act of 9th Sept. 1965)

Protected by US and International patents granted and pending

rheonics 

inline process  
density and viscosity  
monitoring