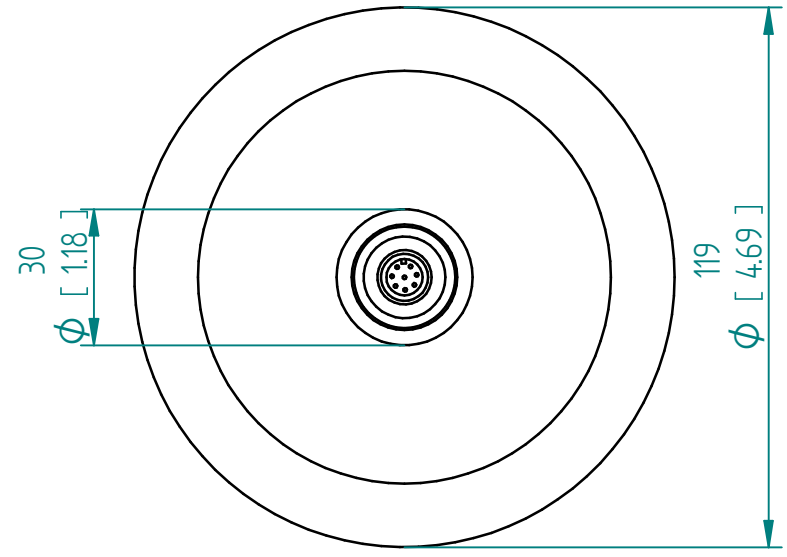
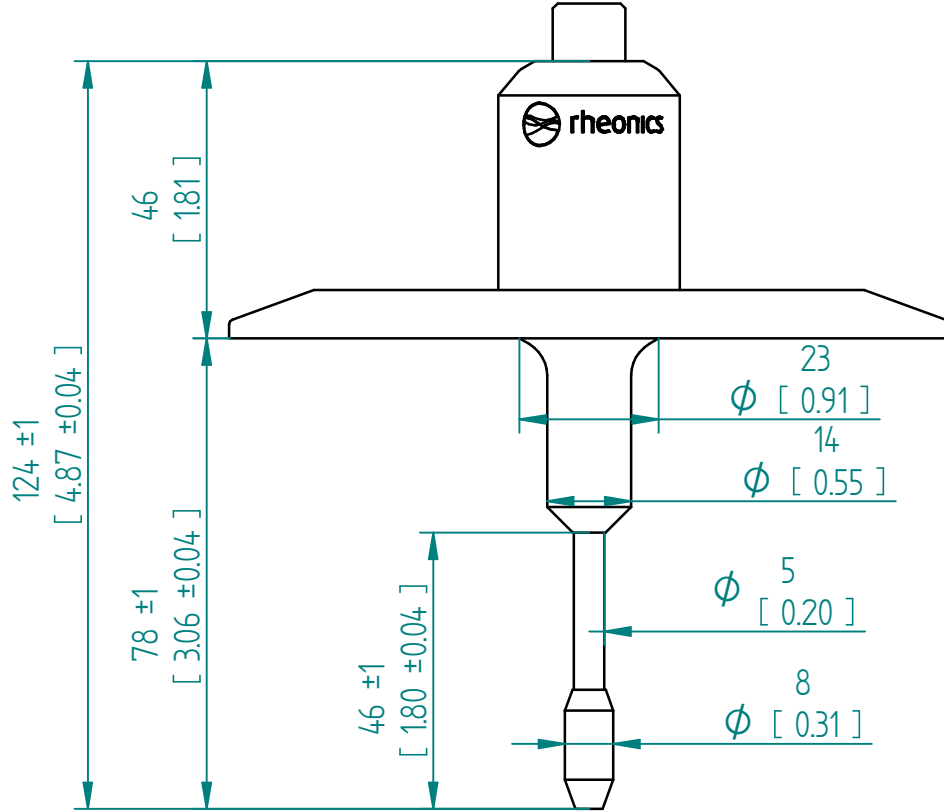


Pressure-Rating of the sensor probe	As specified in order confirmation
Material	316L
Process connection	Tri-Clamp 4"
Compatible with	ISO32676 DN100
	ASME-BPE 4"
Order Code	SRV-HD-X3-40T



Units: mm
[inch]

SRV-HD-X3-40T
Tri Clamp 4"

This drawing remains property of rheonics. It may be neither copied nor informed to third persons or competitors without our approval. (2 § paragraph 1 fig.7 copyright act of 9th Sept. 1965)

Protected by US and International patents granted and pending

