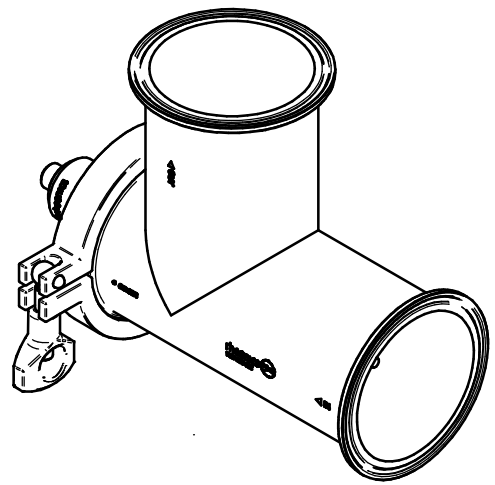


Units: mm [inch]

SRV Installation on Tri-Clamp elbow tee		
X5	Sensor Order Code	SRV-X5-A145-B30T
A	Insertion Depth	145 mm
B	Connection	Tri-Clamp
	Size	DN65
	Norm	DIN 11850

Tri-Clamp elbow tee	
Adapter Order Code	FET-30T-30T
Inlet/Outlet Connection	Tri-Clamp 3"
Norm	ASMPE-BPE



rheonics

inline process  
density and viscosity  
monitoring

# SRV-X5-A145-B30T Flow Cell FET-30T-30T

This drawing remains property of rheonics. It may be neither copied nor informed to third persons or competitors without our approval. ( 2 paragraph 1 fig.7 copyright act of 9th Sept. 1965)

Protected by US and International patents granted and pending