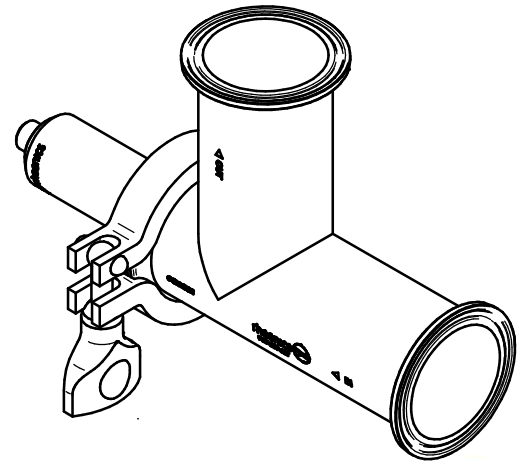


Units: mm [inch]

SRV Installation on Tri-Clamp elbow tee		
X5	Sensor Order Code	SRV-X5-A118-B20T
A	Insertion Depth	118 mm
B	Connection	Tri-Clamp
	Size	DN50
	Norm	DIN 11850

Tri-Clamp elbow tee	
Adapter Order Code	FET-20T-20T
Inlet/Outlet Connection	Tri-Clamp 2"
Norm	ASMPE-BPE



rheonics

inline process
density and viscosity
monitoring

SRV-X5-A118-B20T Flow Cell FET-20T-20

This drawing remains property of rheonics. It may be neither copied nor informed to third persons or competitors without our approval. (2 paragraph 1 fig.7 copyright act of 9th Sept. 1965)

Protected by US and International patents granted and pending

rheonics • Switzerland • USA • www.rheonics.com • info@rheonics.com +41 52 511 32 00 +1 713 364 5427

Release: 2408