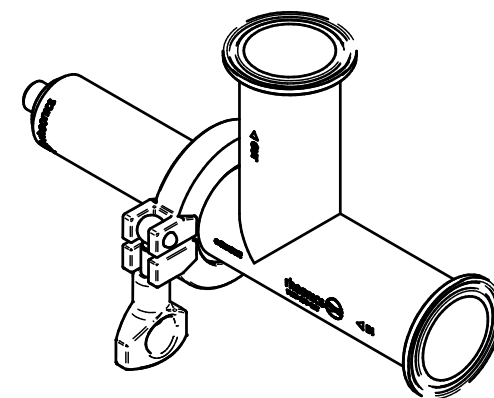
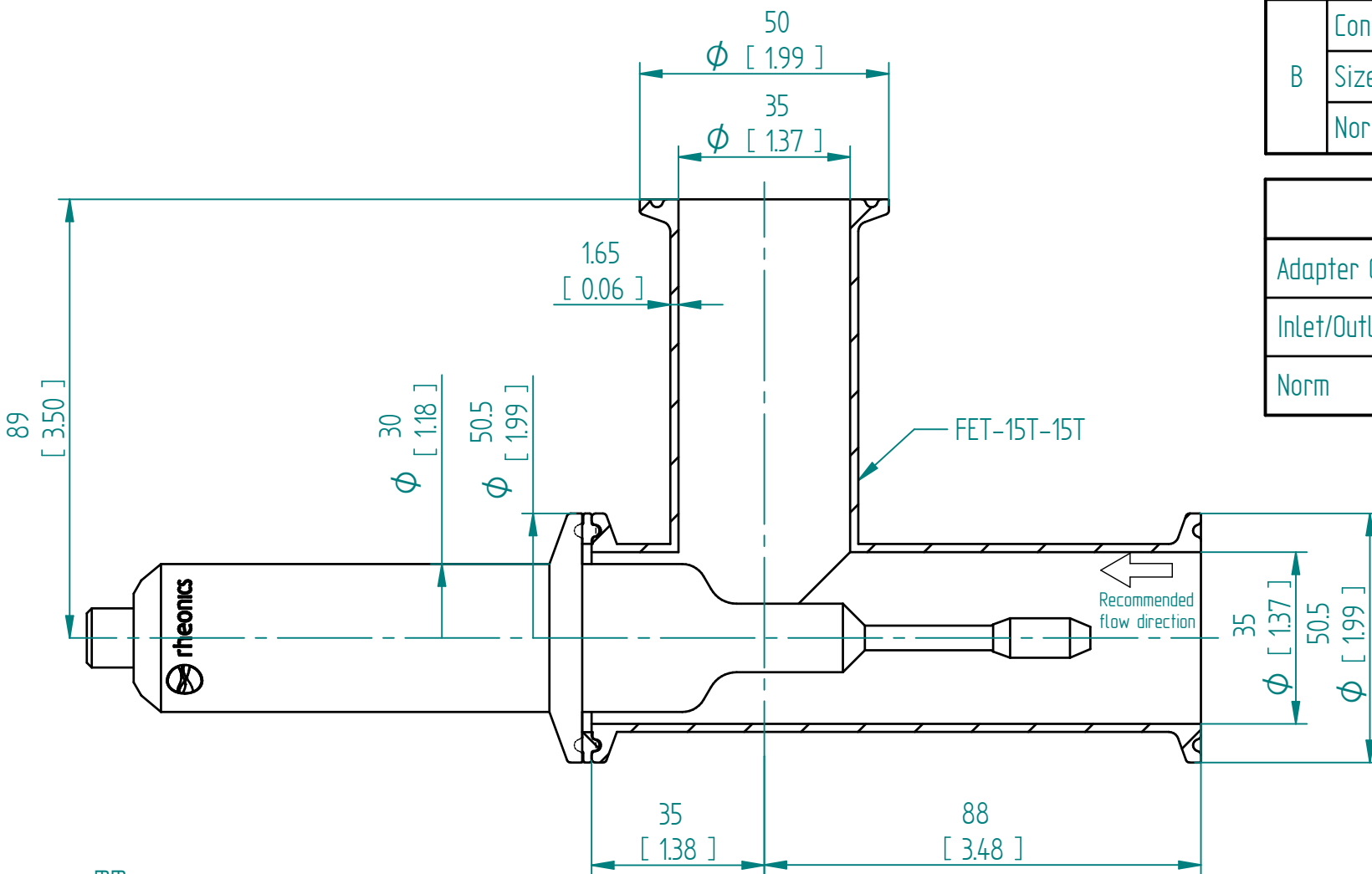


SRV Installation on Tri-Clamp elbow tee		
X5	Sensor Order Code	SRV-X5-A103-B15T
A	Insertion Depth	103 mm
B	Connection	Tri-Clamp
	Size	DN50
	Norm	DIN 11850

Tri-Clamp elbow tee	
Adapter Order Code	FET-15T-15T
Inlet/Outlet Connection	Tri-Clamp 1.5"
Norm	ASMPE-BPE



Units: mm  
[inch]

## SRV-X5-A103-B15T Flow cell FET-15T-15T

This drawing remains property of rheonics. It may be neither copied nor informed to third persons or competitors without our approval. ( 2 paragraph 1 fig.7 copyright act of 9th Sept. 1965)

Protected by US and International patents granted and pending

rheonics • Switzerland • USA • www.rheonics.com • info@rheonics.com +41 52 511 32 00 +1 713 364 5427

Release: 2408

**rheonics**   
inline process  
density and viscosity  
monitoring