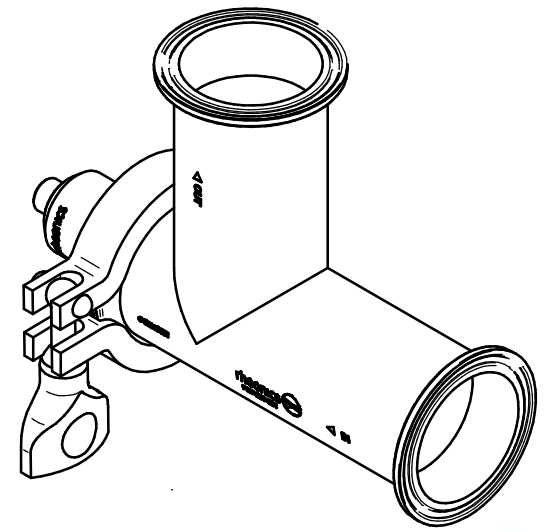


SRV Installation on Tri-Clamp elbow tee	
Sensor Order Code	SRV-X3-20T
Process Connection	Tri-Clamp DN50
Norm	DIN 11850

Tri-Clamp elbow tee	
Adapter Order Code	FET-20T-20T
Inlet/Outlet Connection	Tri-Clamp 2"
Norm	ASMPE-BPE



Units: mm [inch]

SRV-X3-20T Flow Cell FET-20T-20T

This drawing remains property of rheonics. It may be neither copied nor informed to third persons or competitors without our approval. (2 paragraph 1 fig.7 copyright act of 9th Sept. 1965)

Protected by US and International patents granted and pending

