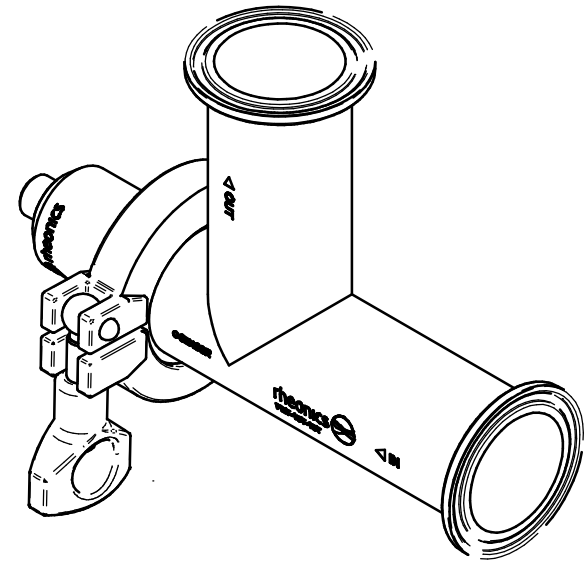


SRV Installation on Tri-Clamp elbow tee	
Sensor Order Code	SRV-HS-X3-15T
Process Connection	Tri-Clamp DN25/32/40
Norm	DIN 11850

Tri-Clamp elbow tee	
Adapter Order Code	FET-15T-15T
Inlet/Outlet Connection	Tri-Clamp 1.5"
Norm	ASME-BPE



Units: mm [inch]

## SRV-HS-X3-15T Flow Cell FET-15T-15T

This drawing remains property of rheonics. It may be neither copied nor informed to third persons or competitors without our approval. ( 2 paragraph 1 fig.7 copyright act of 9th Sept. 1965)

Protected by US and International patents granted and pending

rheonics • Switzerland • USA • www.rheonics.com • info@rheonics.com +41 52 511 32 00 +1 713 364 5427

Release: 2408

rheonics



inline process  
density and viscosity  
monitoring