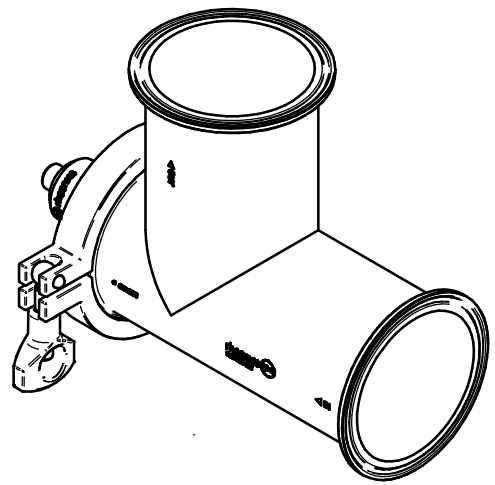


Units: mm [inch]

| SRD Installation on Tri-Clamp elbow tee | | |
|---|-------------------|------------------|
| X5 | Sensor Order Code | SRD-X5-A140-B30T |
| A | Insertion Depth | 140 mm |
| B | Connection | Tri-Clamp |
| | Size | DN65 |
| | Norm | DIN 11850 |

| Tri-Clamp elbow tee | |
|-------------------------|--------------|
| Adapter Order Code | FET-30T-30T |
| Inlet/Outlet Connection | Tri-Clamp 3" |
| Norm | ASMPE-BPE |



rheonics

inline process
density and viscosity
monitoring

SRD-X5-A140-B30T Flow Cell FET-30T-30T

This drawing remains property of rheonics. It may be neither copied nor informed to third persons or competitors without our approval. (2 paragraph 1 fig.7 copyright act of 9th Sept. 1965)

Protected by US and International patents granted and pending