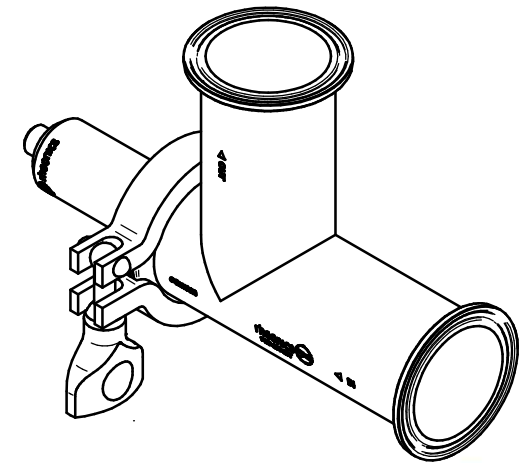


SRD Installation on Tri-Clamp elbow tee		
X5	Sensor Order Code	SRD-X5-A115-B20T
A	Insertion Depth	115 mm
B	Connection	Tri-Clamp
	Size	DN50
	Norm	DIN 11850

Tri-Clamp elbow tee	
Adapter Order Code	FET-20T-20T
Inlet/Outlet Connection	Tri-Clamp 2"
Norm	ASMPE-BPE



rheonics

inline process  
density and viscosity  
monitoring

## SRD-X5-A115-B20T Flow Cell FET-20T-20

This drawing remains property of rheonics. It may be neither copied nor informed to third persons or competitors without our approval. ( 2 paragraph 1 fig.7 copyright act of 9th Sept. 1965)

Protected by US and International patents granted and pending