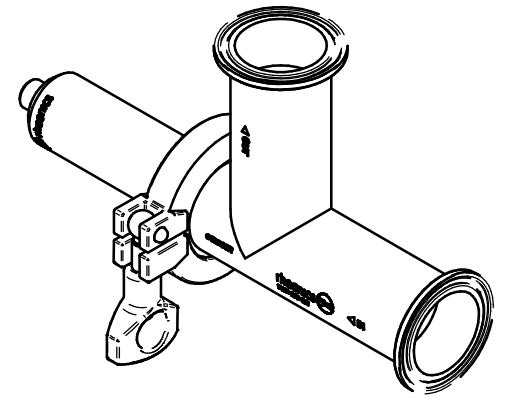


Units: mm [inch]

SRD Installation on Tri-Clamp elbow tee		
X5	Sensor Order Code	SRD-X5-A100-B15T
A	Insertion Depth	100 mm
B	Connection	Tri-Clamp
	Size	DN50
	Norm	DIN 11850

Tri-Clamp elbow tee	
Adapter Order Code	FET-15T-15T
Inlet/Outlet Connection	Tri-Clamp 1.5"
Norm	ASMPE-BPE



rheonics

inline process
density and viscosity
monitoring

SRD-X5-A100-B15T Flow cell FET-15T-15T

This drawing remains property of rheonics. It may be neither copied nor informed to third persons or competitors without our approval. (2 paragraph 1 fig.7 copyright act of 9th Sept. 1965)

Protected by US and International patents granted and pending