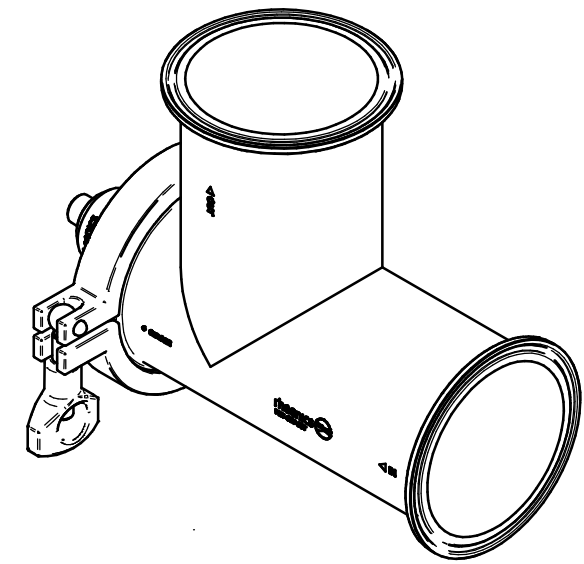


| SRD Installation on Tri-Clamp elbow tee |                |
|---|----------------|
| Sensor Order Code                       | SRD-X3-30T     |
| Process Connection                      | Tri-Clamp DN65 |
| Norm                                    | DIN 11850      |

| Tri-Clamp elbow tee     |              |
|-------------------------|--------------|
| Adapter Order Code      | FET-30T-30T  |
| Inlet/Outlet Connection | Tri-Clamp 3" |
| Norm                    | ASMPE-BPE    |



# SRD-X3-30T Flow Cell FET-30T-30T

This drawing remains property of rheonics. It may be neither copied nor informed to third persons or competitors without our approval. ( 2 paragraph 1 fig.7 copyright act of 9th Sept. 1965)



Protected by US and International patents granted and pending