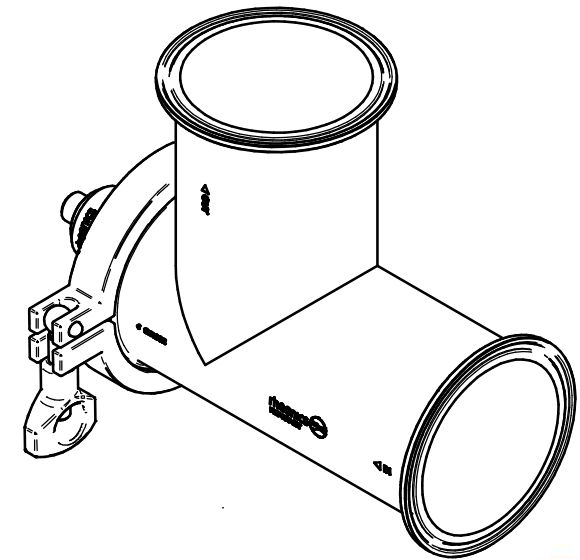


SRD Installation on Tri-Clamp elbow tee	
Sensor Order Code	SRD-HS-X3-30T
Process Connection	Tri-Clamp DN65
Norm	DIN 11850

Tri-Clamp elbow tee	
Adapter Order Code	FET-30T-30T
Inlet/Outlet Connection	Tri-Clamp 3"
Norm	ASMPE-BPE



rheonics

inline process
density and viscosity
monitoring

SRD-HS-X3-30T Flow Cell FET-30T-30T

This drawing remains property of rheonics. It may be neither copied nor informed to third persons or competitors without our approval. (2 paragraph 1 fig.7 copyright act of 9th Sept. 1965)

Protected by US and International patents granted and pending

rheonics • Switzerland • USA • www.rheonics.com • info@rheonics.com +41 52 511 32 00 +1 713 364 5427

Release: 2408