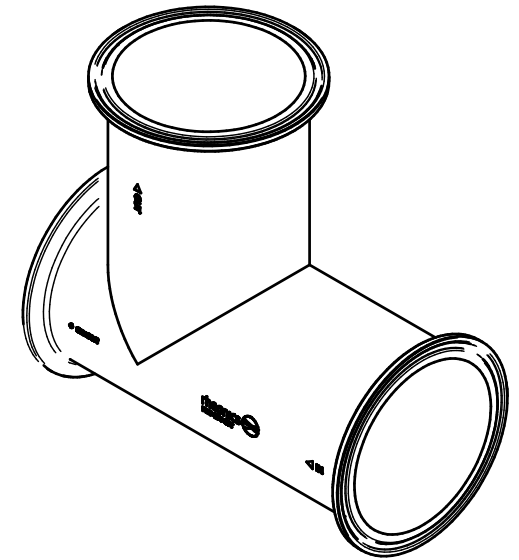


Tri-Clamp elbow tee	
Adapter Order Code	FET-30T-30T
Inlet/Outlet Connection	Tri-Clamp 3"
Norm	ASME-BPE



FET-30T-30T Flow Elbow Tee 3" TC

This drawing remains property of rheonics. It may be neither copied nor informed to third persons or competitors without our approval. (2 paragraph 1 fig.7 copyright act of 9th Sept. 1965)

Protected by US and International patents granted and pending

rheonics • Switzerland • USA • www.rheonics.com • info@rheonics.com +41 52 511 32 00 +1 713 364 5427

Release: 2408

rheonics



inline process
 density and viscosity
 monitoring