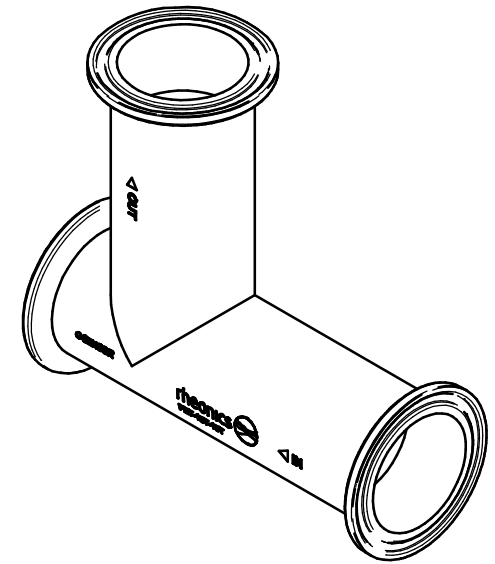


Tri-Clamp elbow tee	
Adapter Order Code	FET-15T-15T
Inlet/Outlet Connection	Tri-Clamp 1.5"
Norm	ASME-BPE



Units: mm  
[inch]

## FET-15T-15T Flow Elbow Tee 1.5" TC

This drawing remains property of rheonics. It may be neither copied nor informed to third persons or competitors without our approval. ( 2 paragraph 1 fig.7 copyright act of 9th Sept. 1965)

Protected by US and International patents granted and pending

rheonics 

inline process  
density and viscosity  
monitoring