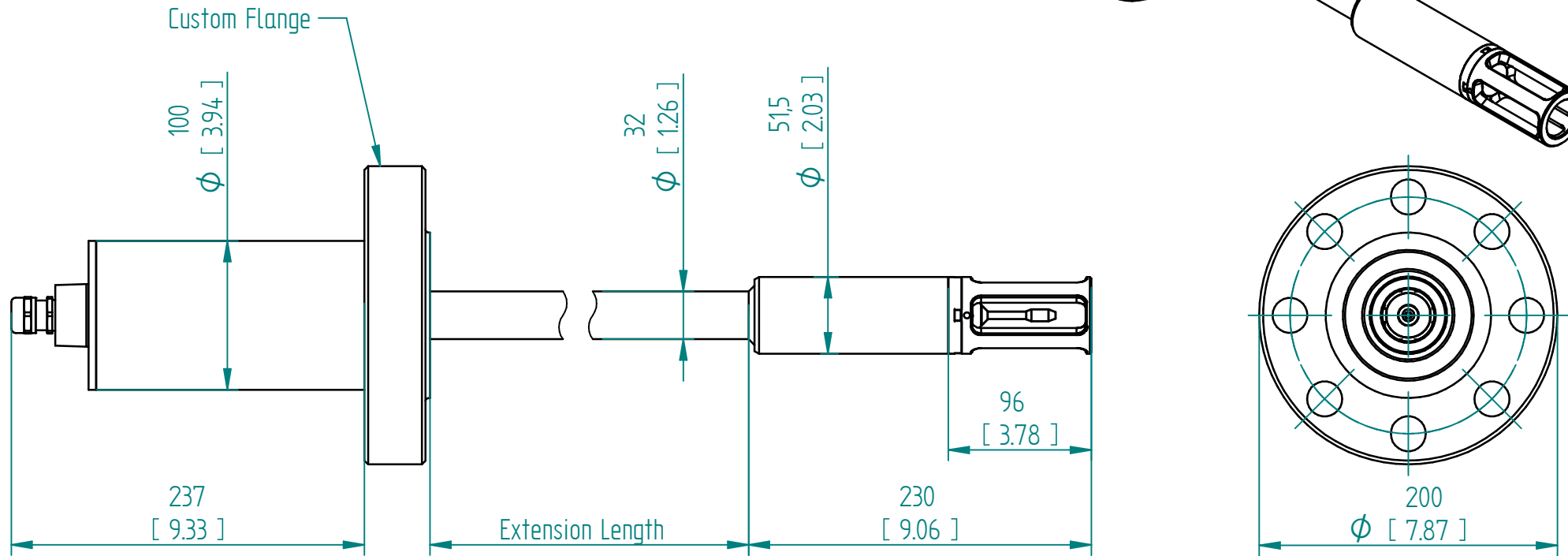
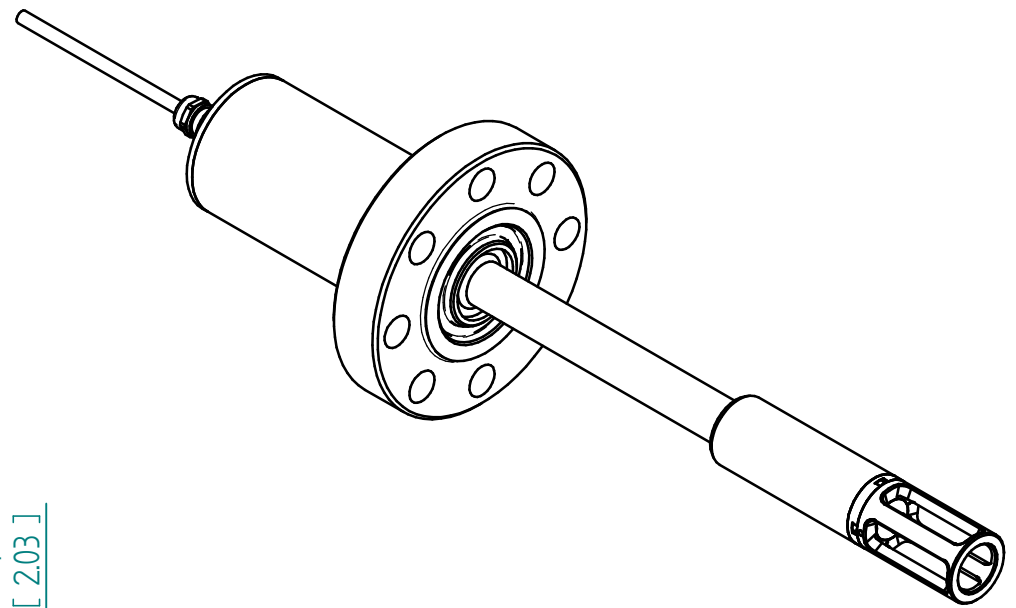


Max. available Pressure rating	700 bar (10 000 psi)
Material	Stainless Steel 316 or Hastelloy C22



Units: mm
[inch]

Rheonics SDP Sand Detector Probe

This drawing remains property of rheonics. It may be neither copied nor informed to third persons or competitors without our approval. (2 paragraph 1 fig.7 copyright act of 9th Sept. 1965)

Protected by US and International patents granted and pending

rheonics • Switzerland • USA • www.rheonics.com • info@rheonics.com +41 52 511 32 00 +1 713 364 5427

Release:2404

