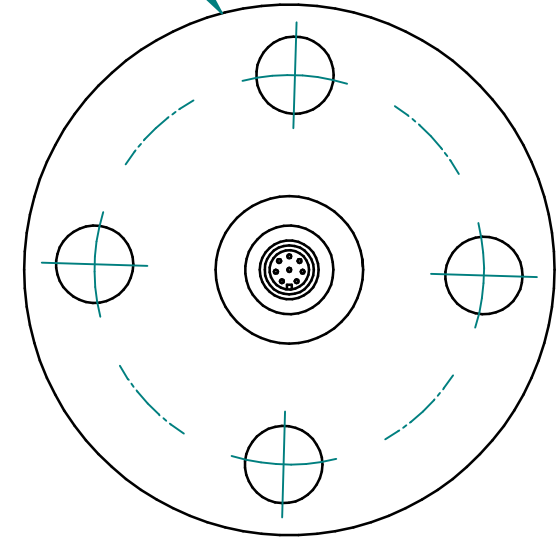
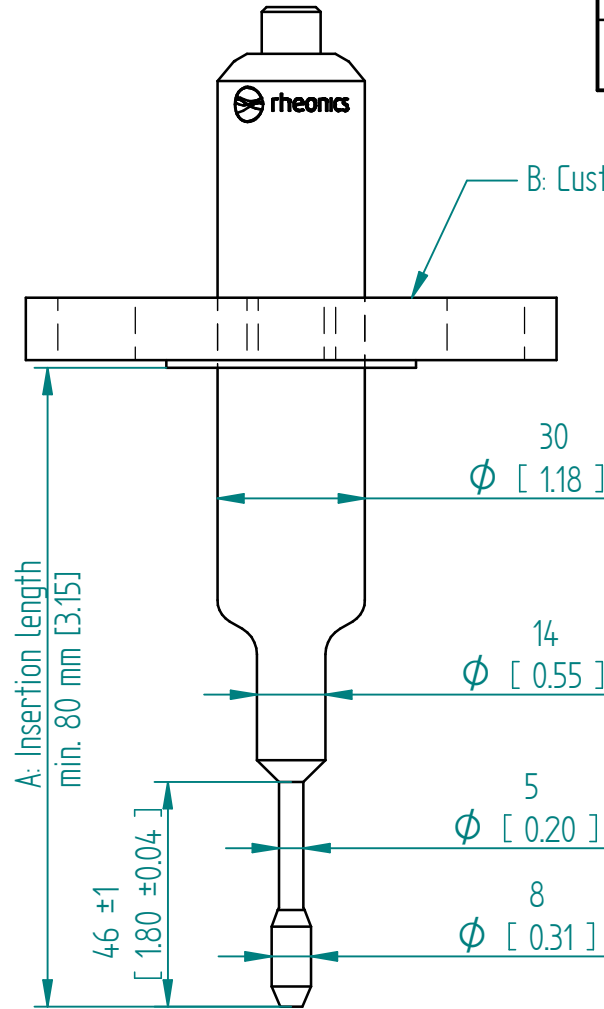
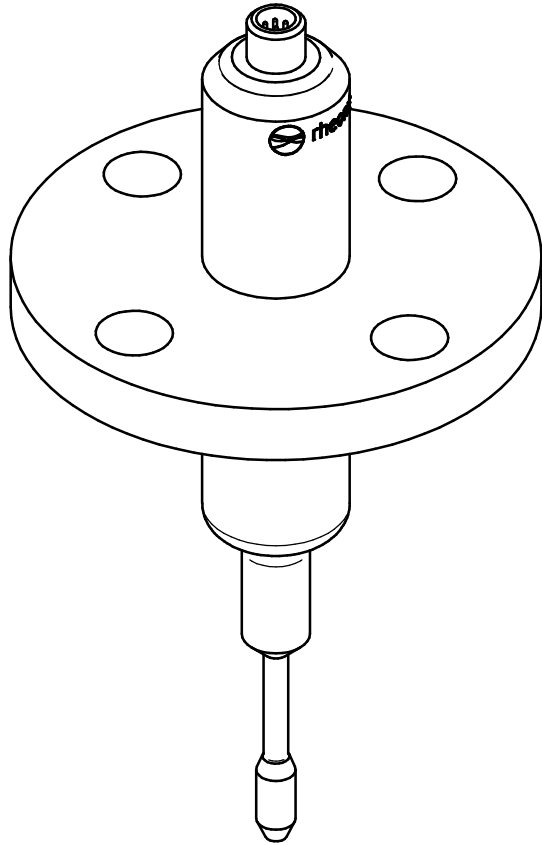


Rheonics SRV-X5

Max. Pressure	100 bar (1500 psi)
Material	316
Order Code	SRV-X5-Axxx-Byyy



Units: mm
[inch]



inline process
density and viscosity
monitoring

SRV-X5 Long Insertion Probe SRV

This drawing remains property of rheonics. It may be neither copied nor informed to third persons or competitors without our approval. (2 paragraph 1 fig.7 copyright act of 9th Sept. 1965)

Protected by US and International patents granted and pending