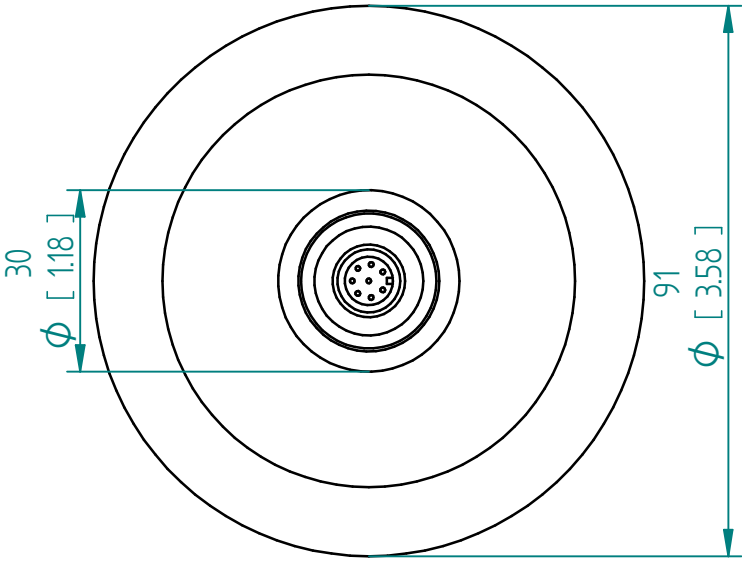
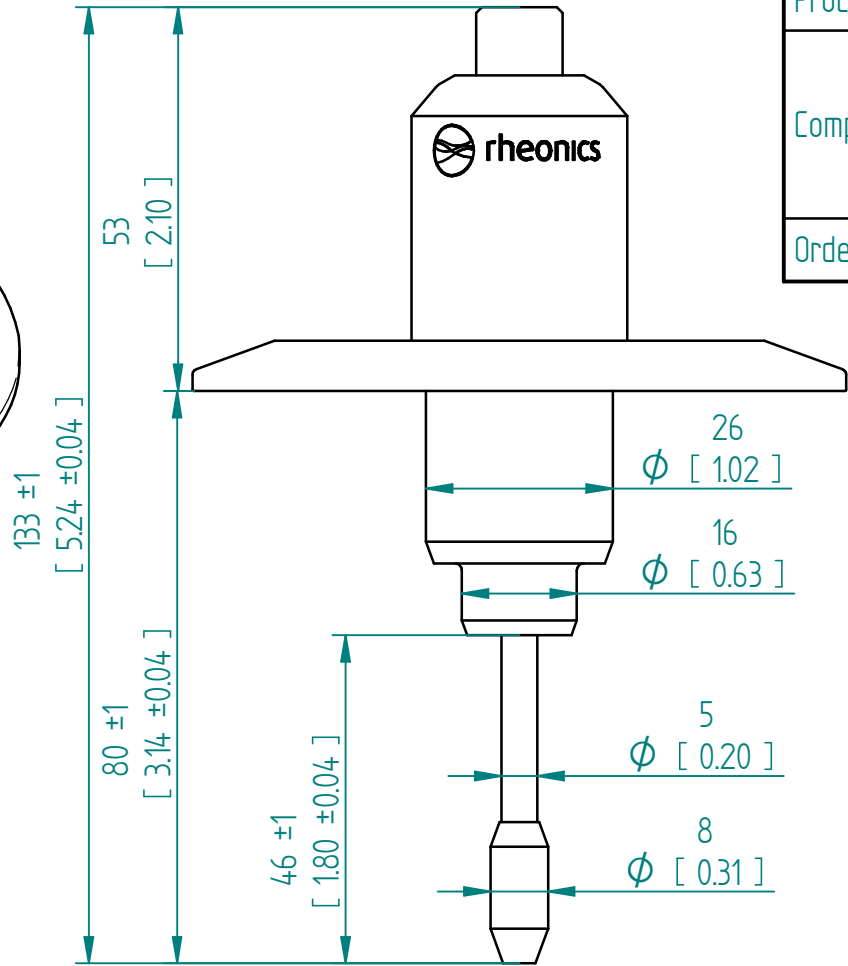
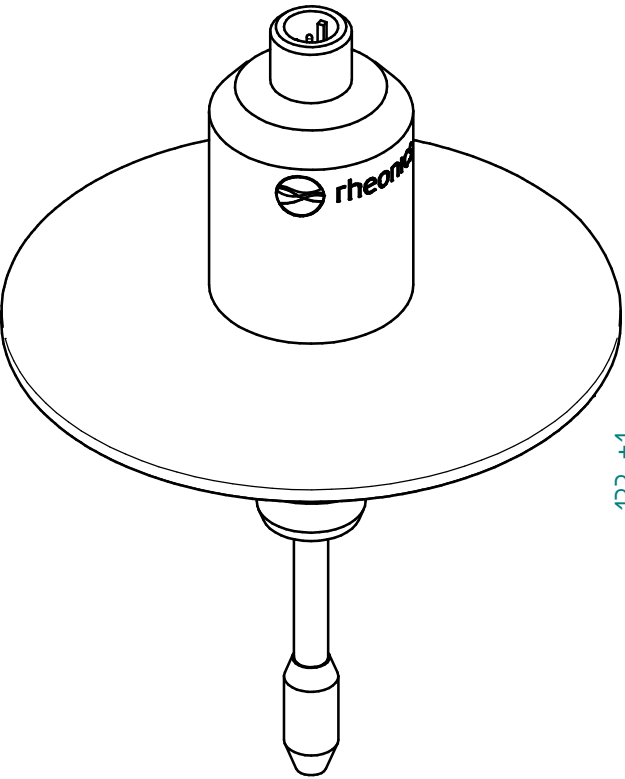


Pressure-Rating of the sensor probe	As specified in order confirmation
Material	316L
Process connection	Tri-Clamp 3"
Compatible with	ISO 1127 DN 65
	DIN 32676 DN 65
	ASME BPE 3"
Order Code	SRV-X3-30T



Units: mm
[inch]

SRD-X3-30T
Tri Clamp 3"

This drawing remains property of rheonics. It may be neither copied nor informed to third persons or competitors without our approval. (2 § paragraph 1 fig.7 copyright act of 9th Sept. 1965)

Protected by US and International patents granted and pending

