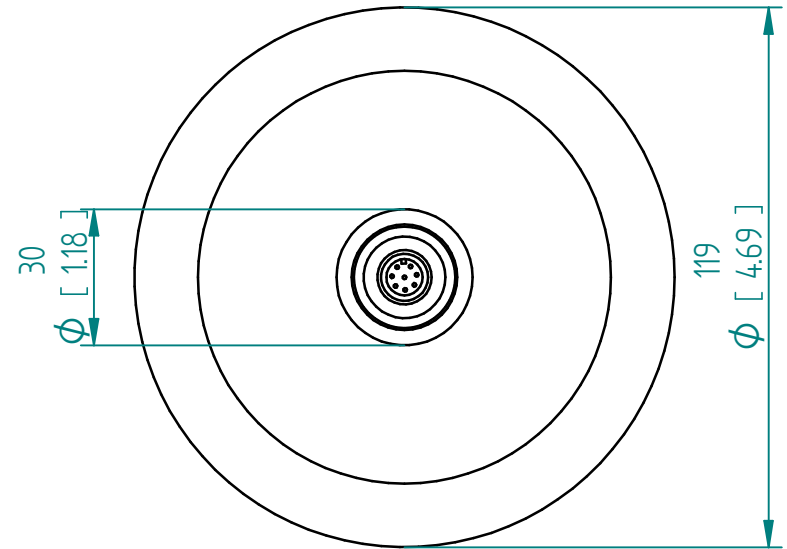
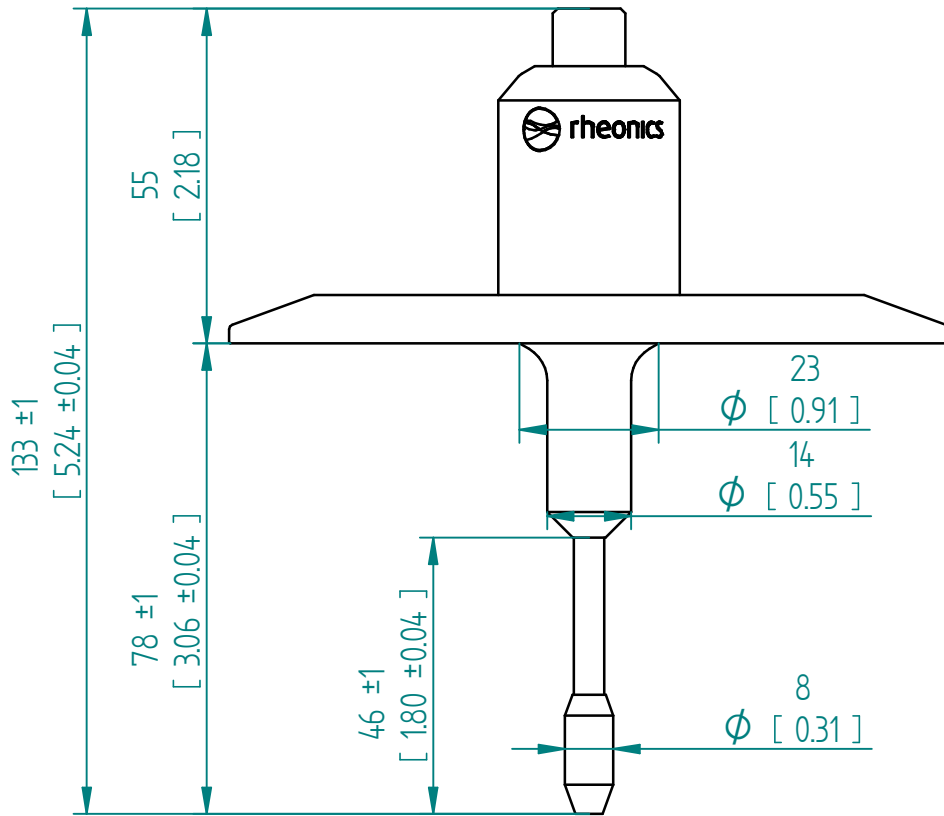


| | |
|-------------------------------------|------------------------------------|
| Pressure-Rating of the sensor probe | As specified in order confirmation |
| Material | 316L |
| Process connection | Tri-Clamp 4" |
| Compatible with | ISO32676 DN100 |
| | ASME-BPE 4" |
| Order Code | SRV-HS-X3-40T |



Units: mm
[inch]

SRV-HS-X3-40T Tri Clamp 4"

This drawing remains property of rheonics. It may be neither copied nor informed to third persons or competitors without our approval. (2 § paragraph 1 fig.7 copyright act of 9th Sept. 1965)

Protected by US and International patents granted and pending

