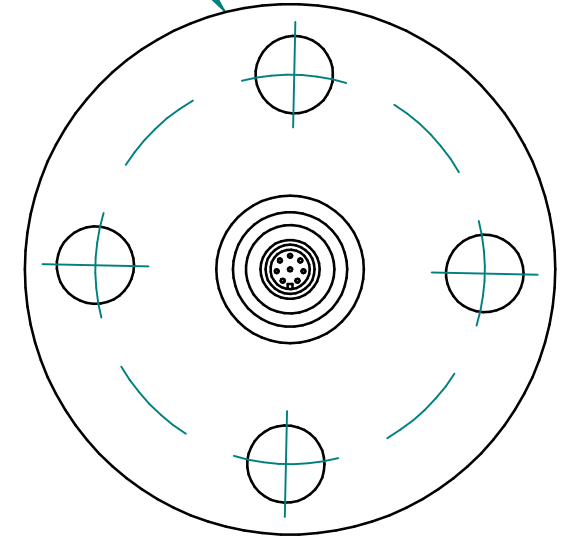
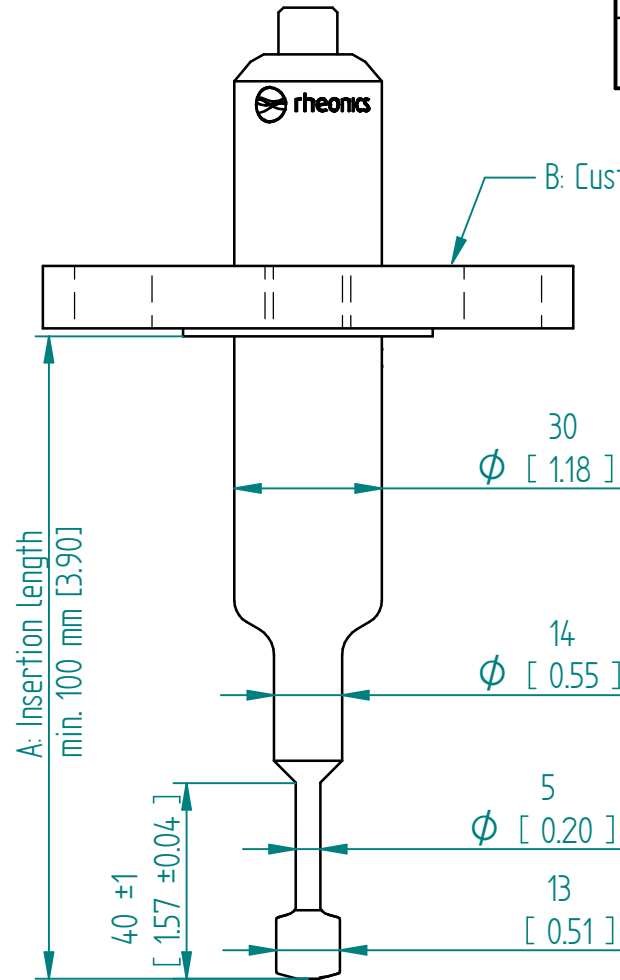
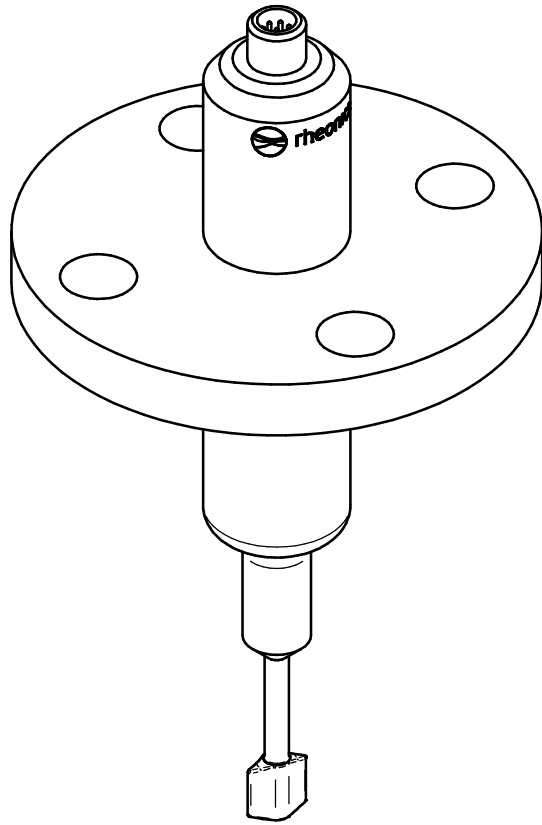


Rheonics SRD-X5

Max. Pressure	100 bar (1500 psi)
Material	316
Order Code	SRD-X5-Axxx-Byyy



Units: mm  
[inch]

# SRD-X5 Long Insertion Probe SRD

This drawing remains property of rheonics. It may be neither copied nor informed to third persons or competitors without our approval. ( 2 paragraph 1 fig.7 copyright act of 9th Sept. 1965)



Protected by US and International patents granted and pending