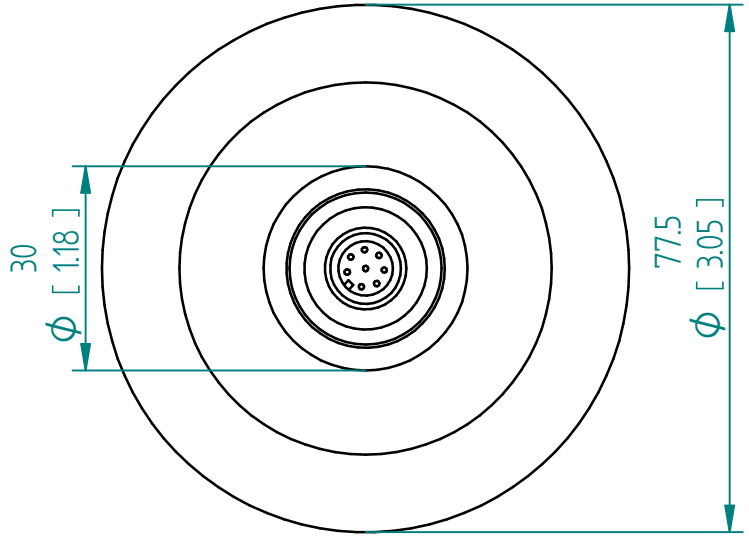
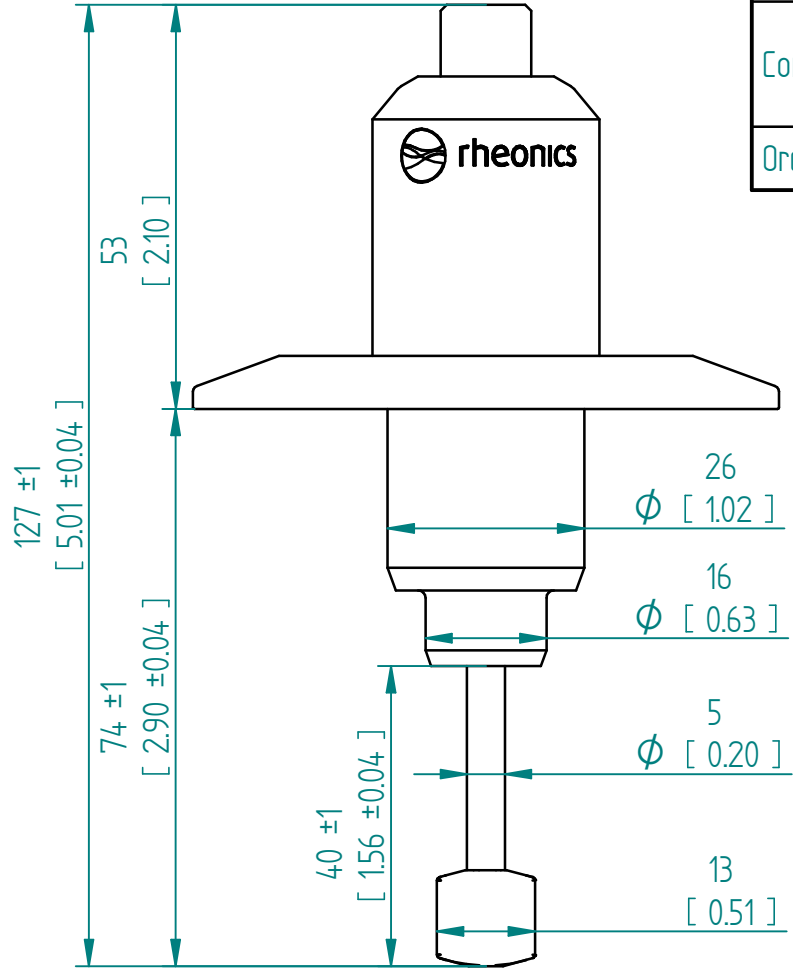
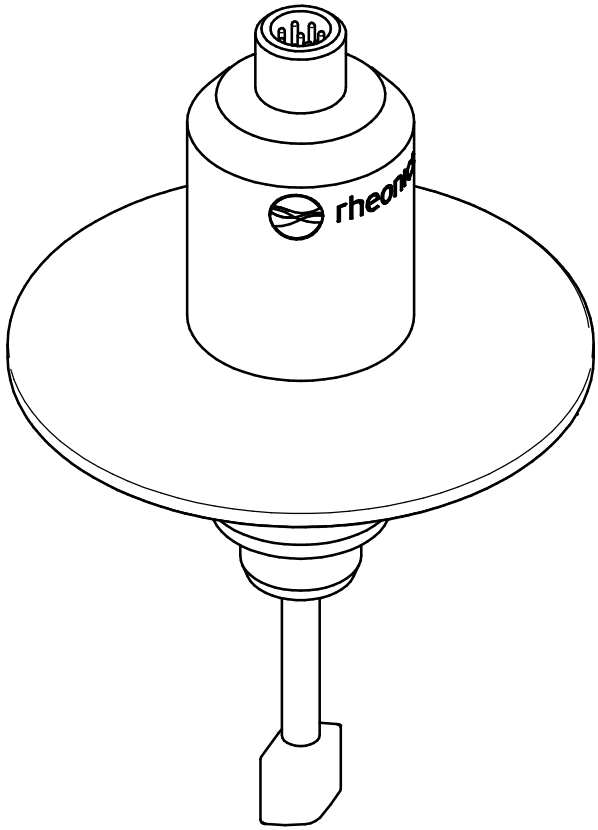


Pressure-Rating of the sensor probe	As specified in order confirmation
Material	316L
Process connection	Tri-Clamp 2.5"
Compatible with	ISO1127 DN50
	ASME-BPE 2 1/2"
Order Code	SRD-X3-25T



Units: mm
[inch]



inline process
density and viscosity
monitoring

SRD-X3-25T
Tri Clamp 2.5"

This drawing remains property of rheonics. It may be neither copied nor informed to third persons or competitors without our approval. (2 § paragraph 1 fig.7 copyright act of 9th Sept. 1965)

Protected by US and International patents granted and pending