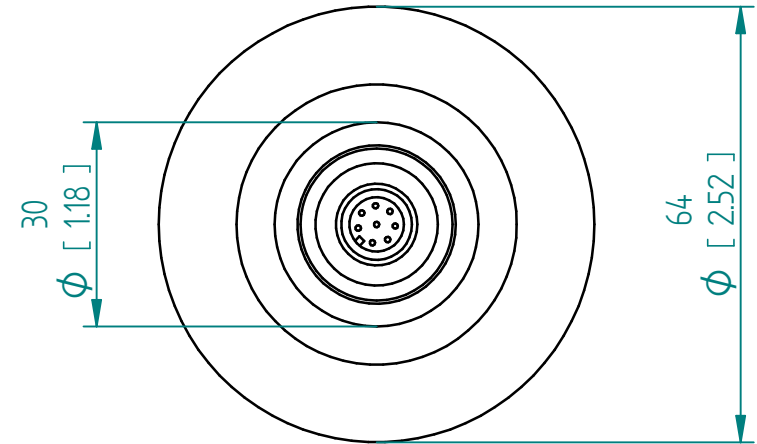


|                                     |                                    |
|-------------------------------------|------------------------------------|
| Pressure-Rating of the sensor probe | As specified in order confirmation |
| Material                            | 316L                               |
| Process connection                  | Tri-Clamp 2"                       |
| Compatible with                     | ISO1127 DN 32 / 40                 |
|                                     | DIN 32676 DN 50                    |
|                                     | ASME-BPE 2"                        |
| Order Code                          | SRD-X3-20T                         |



Units: mm  
[inch]

## SRD-X3-20T Tri Clamp 2"

This drawing remains property of rheonics. It may be neither copied nor informed to third persons or competitors without our approval. ( 2 § paragraph 1 fig.7 copyright act of 9th Sept. 1965)

Protected by US and International patents granted and pending



inline process  
density and viscosity  
monitoring