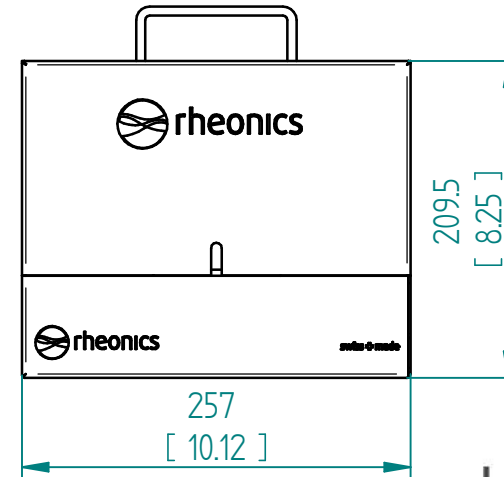
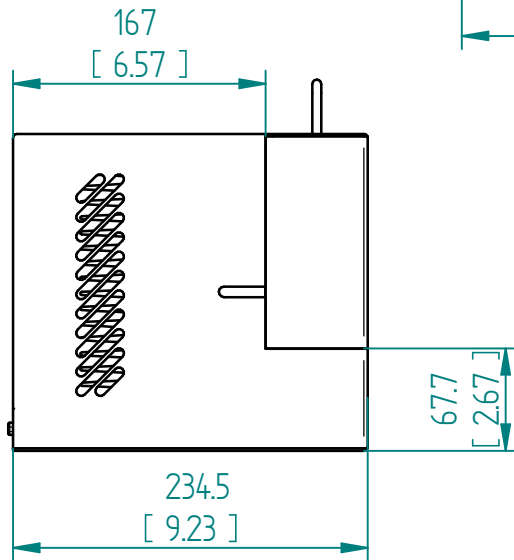
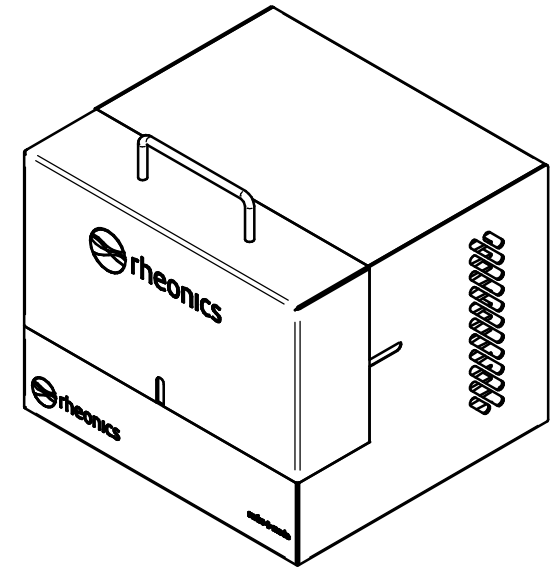
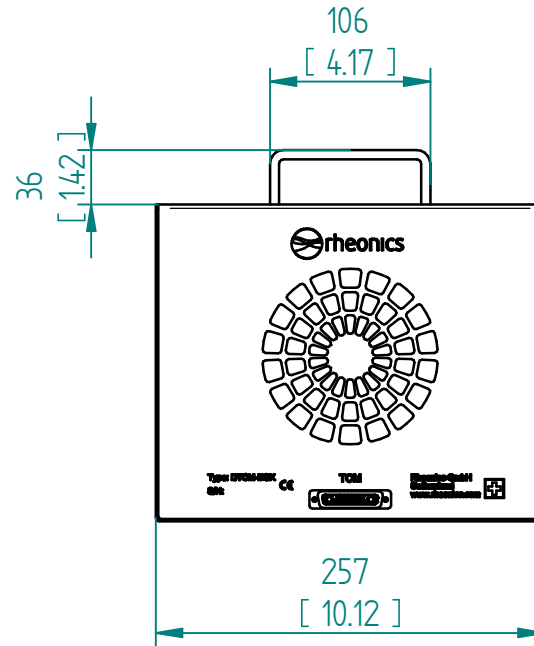


Specifications	
Weight	9.5 Kg
Temperature Range	10 °C to 150 °C
Temperature Stability	0.005 °C
Temperature accuracy	0.05 °C



Units: mm  
[inch]

## Rheonics DTSM G2 Thermal conditioning unit for DVM

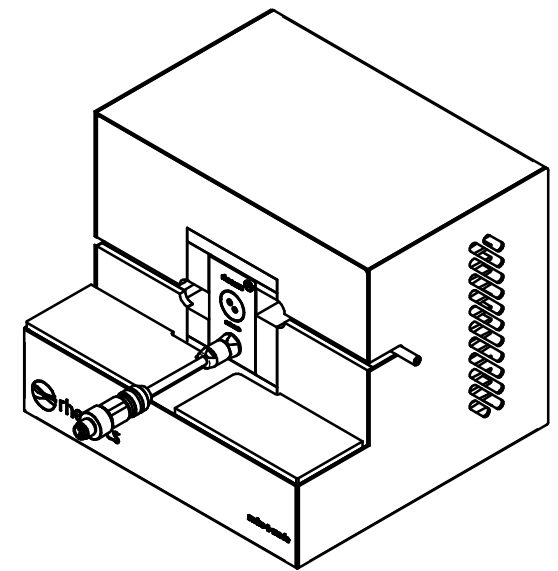
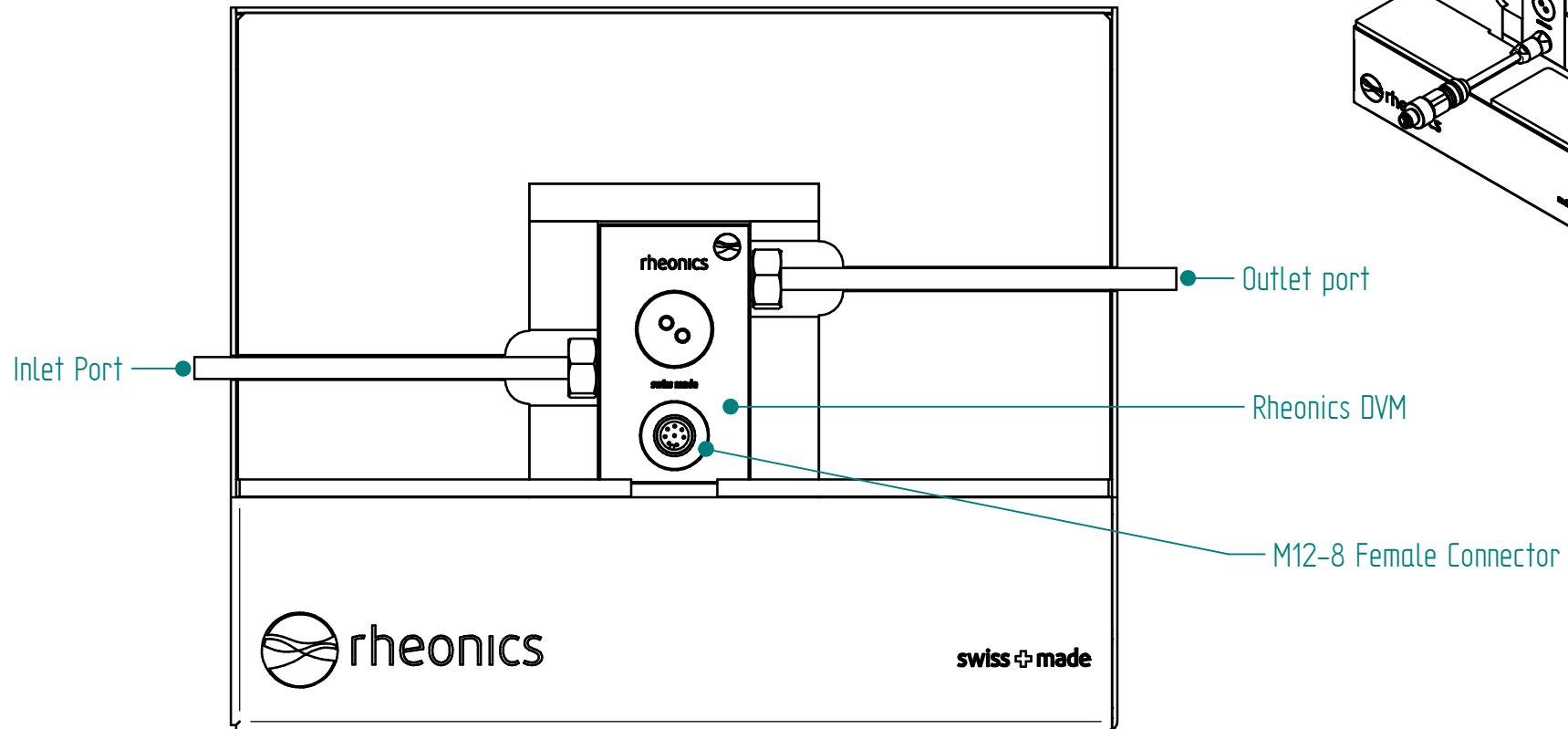
This drawing remains property of rheonics. It may be neither copied nor informed to third persons or competitors without our approval. ( 2 paragraph 1 fig.7 copyright act of 9th Sept. 1965)



Protected by US and International patents granted and pending

rheonics • Switzerland • USA • www.rheonics.com • info@rheonics.com +41 52 511 32 00 +1 713 364 5427

Release: 2402



Units: mm  
[inch]

## Rheonics DTCM G2 Thermal conditioning unit for DVM

This drawing remains property of rheonics. It may be neither copied nor informed to third persons or competitors without our approval. ( 2 paragraph 1 fig.7 copyright act of 9th Sept. 1965)

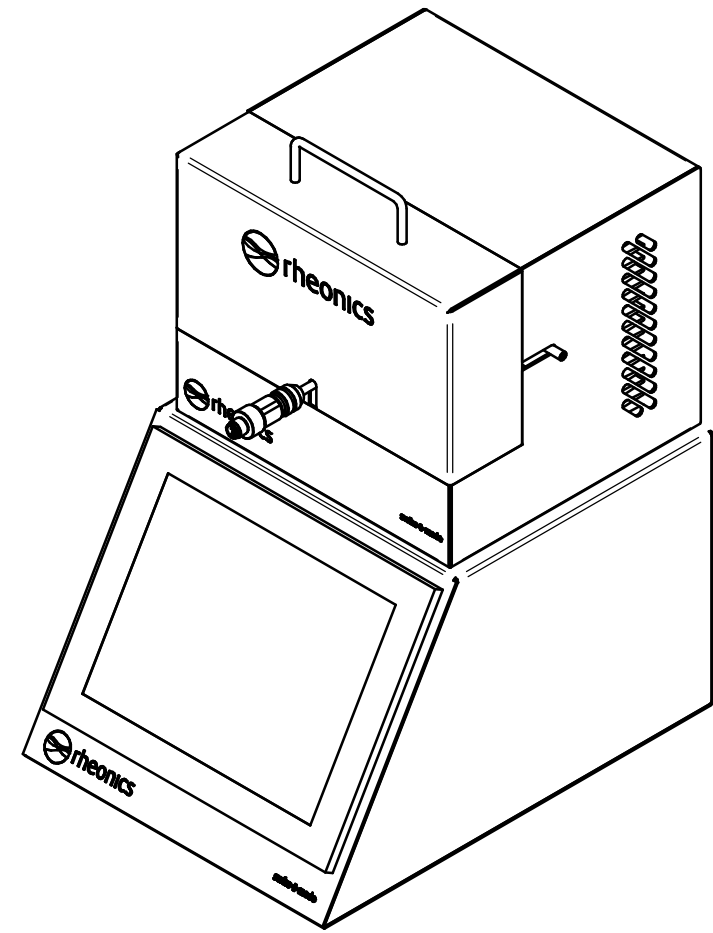
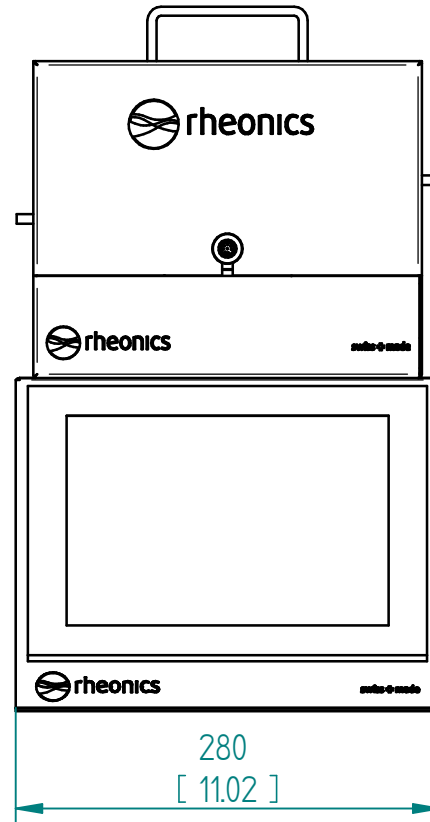
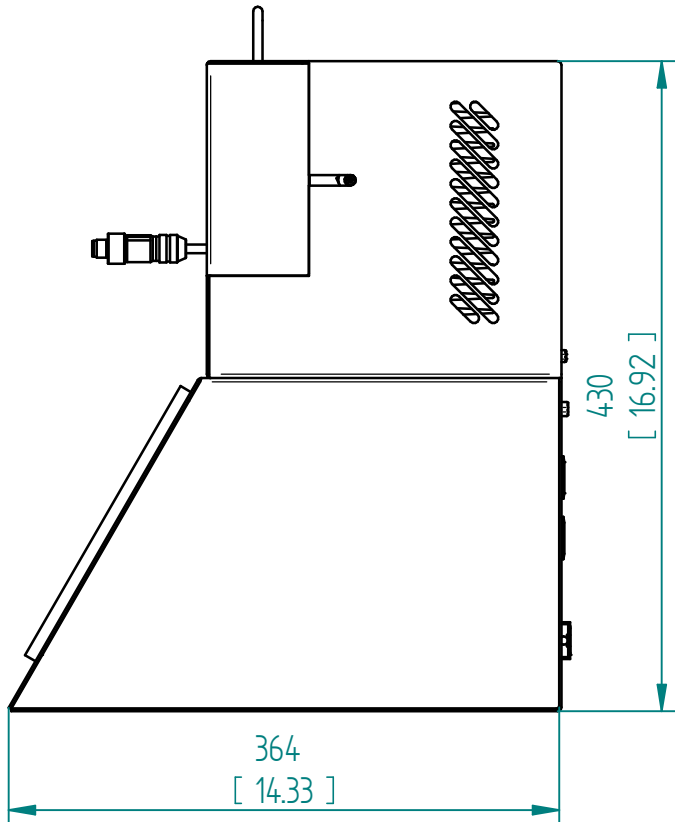
rheonics   
inline process  
density and viscosity  
monitoring

Protected by US and International patents granted and pending

rheonics • Switzerland • USA • www.rheonics.com • info@rheonics.com +41 52 511 32 00 +1 713 364 5427

Release: 2402

Specifications	
Total Weight	17.6 Kg
Power input	110-220 V AC
Power Consumption	max. 700 W
HMI	10.6" touchscreen
Interface	Ethernet, USB, WiFi, HDMI and RS485



Units: mm  
[inch]

## DTTCM + E4 Standalone DTTCM unit

This drawing remains property of rheonics. It may be neither copied nor informed to third persons or competitors without our approval. ( 2 paragraph 1 fig.7 copyright act of 9th Sept. 1965)



Protected by US and International patents granted and pending

rheonics • Switzerland • USA • www.rheonics.com • info@rheonics.com +41 52 511 32 00 +1 713 364 5427

Release: 2402