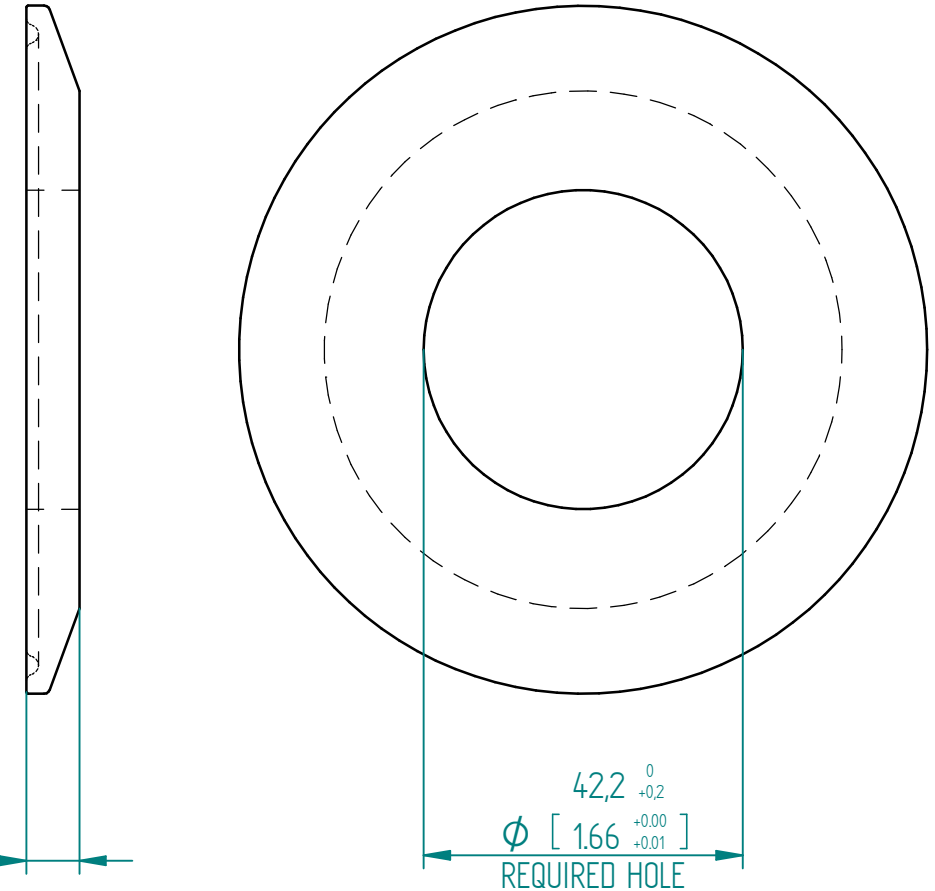
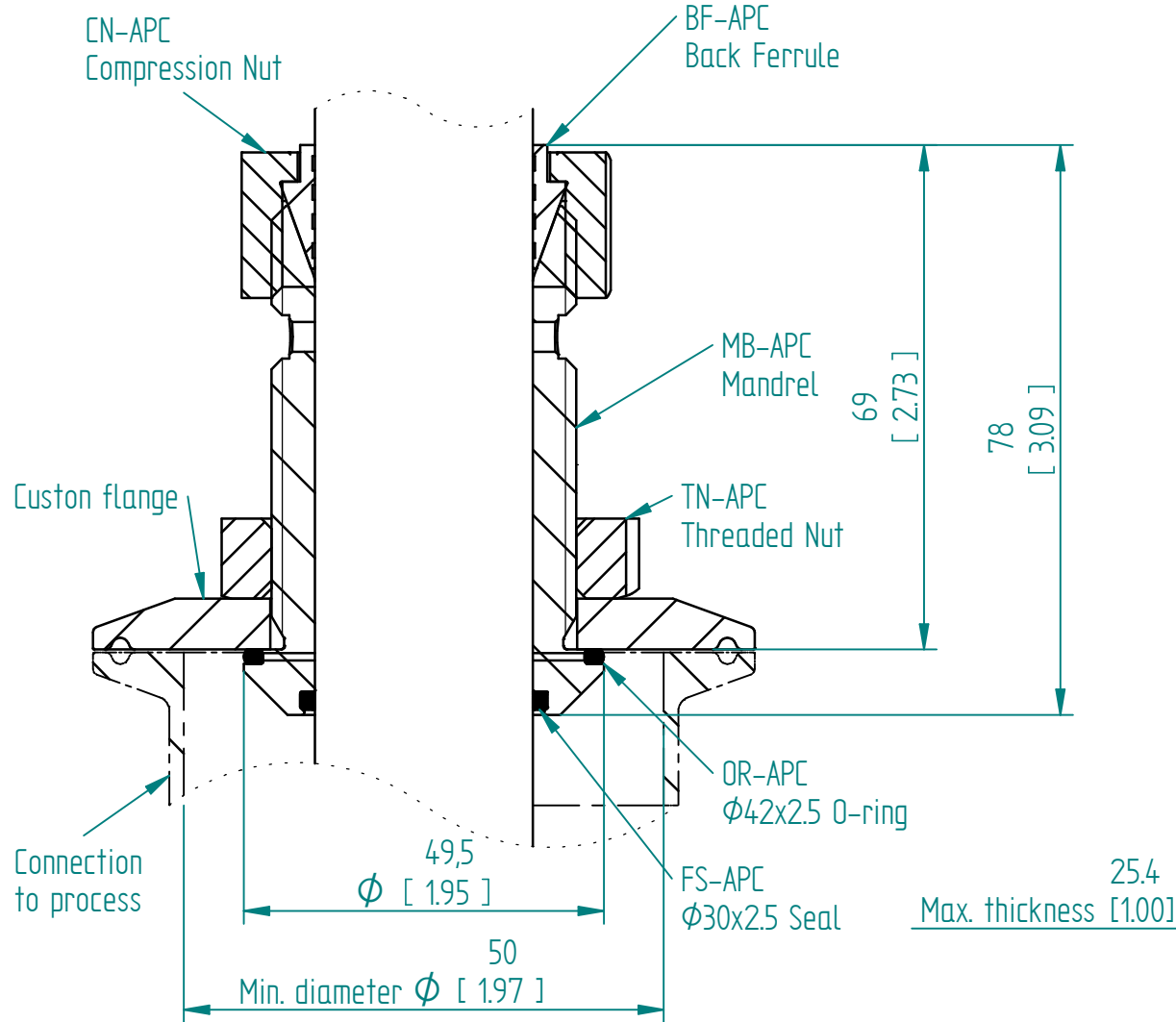


Rheonics APC

Flange Example



Units: mm
[inch]

For compatibility with APC, the flange should comply with max. thickness, and inner hole with defined dimension.



rheonics

inline process
density and viscosity
monitoring

Rheonics APC
Machined Flange

This drawing remains property of rheonics. It may be neither copied nor informed to third persons or competitors without our approval. (2 paragraph 1 fig.7 copyright act of 9th Sept. 1965)

Protected by US and International patents granted and pending

rheonics • Switzerland • USA • www.rheonics.com • info@rheonics.com +41 52 511 32 00 +1 713 364 5427

Release:2401