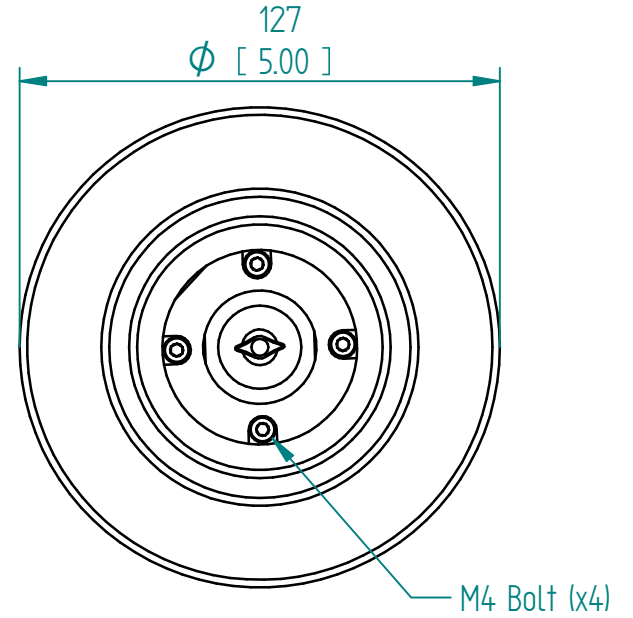
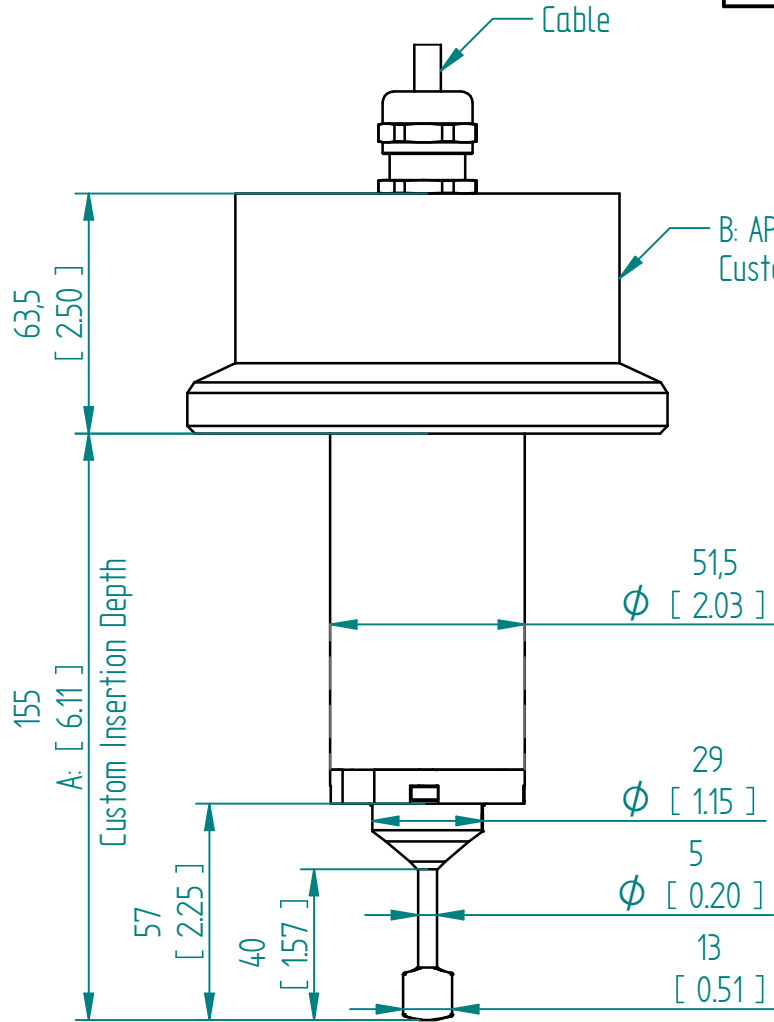
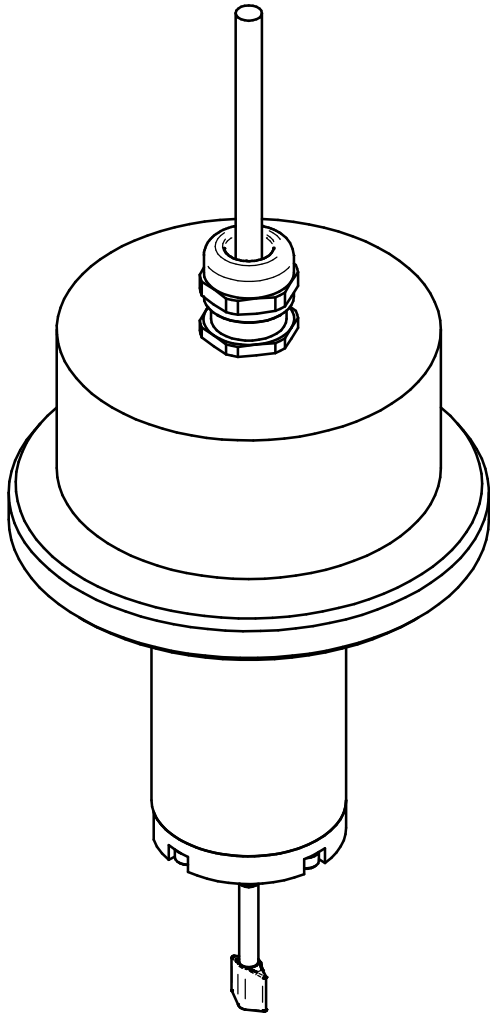


Max. available Pressure rating	500 bar (7500 psi)
Material	316L



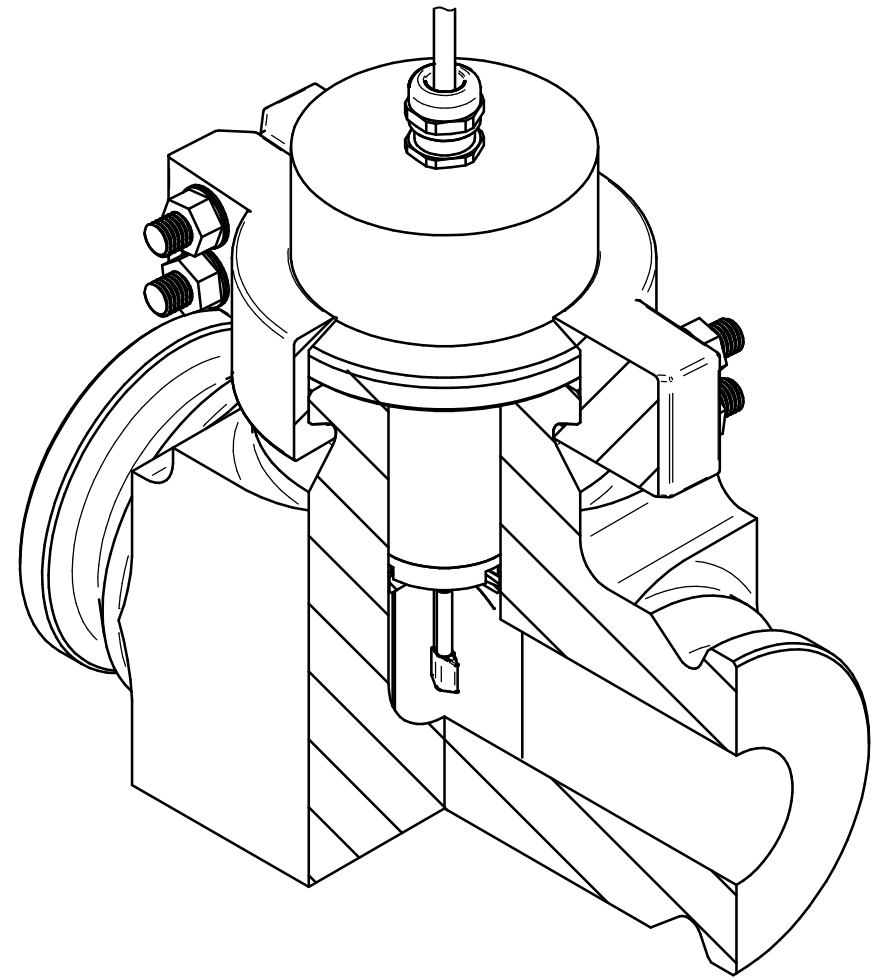
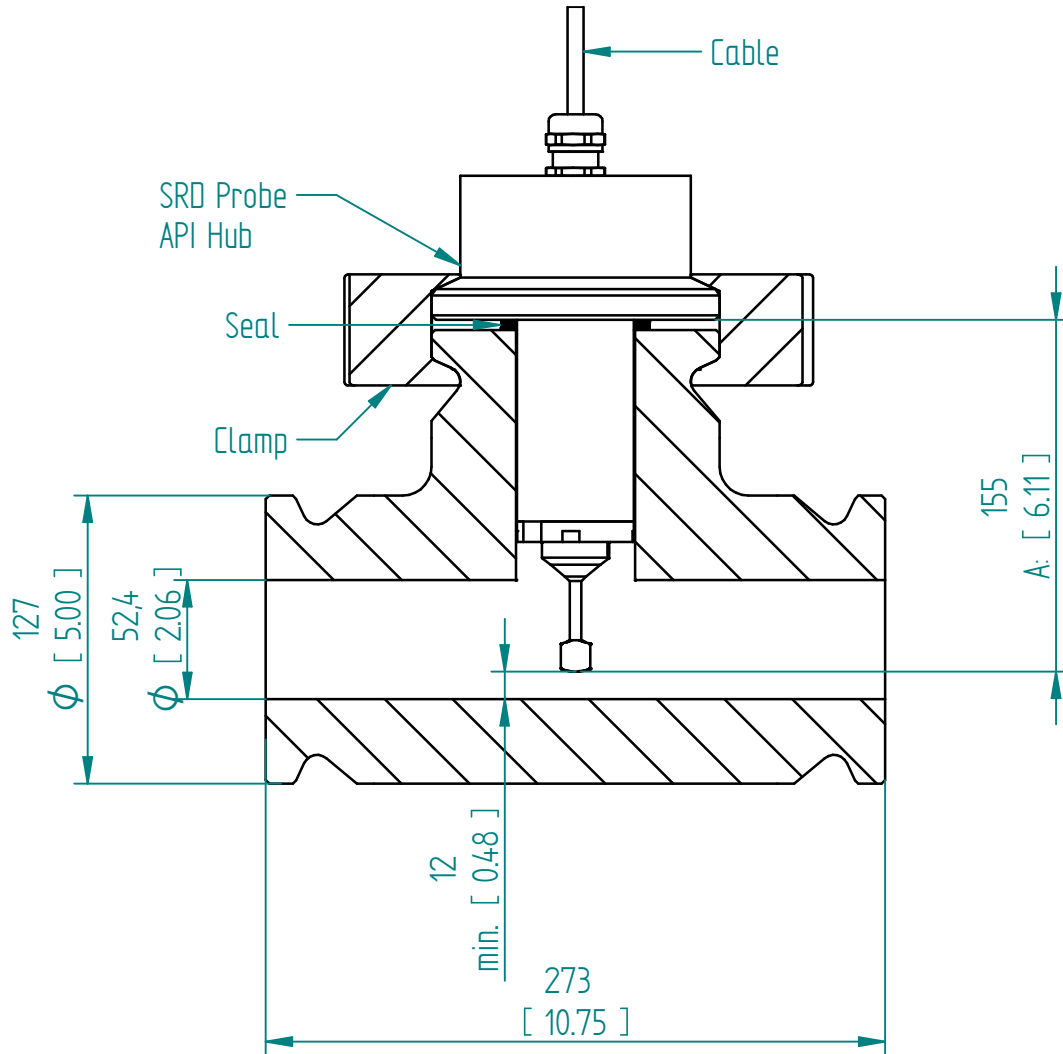
Units: mm [inch]

SRD-HPT API Hub Connection

This drawing remains property of rheonics. It may be neither copied nor informed to third persons or competitors without our approval. (2 paragraph 1 fig.7 copyright act of 9th Sept. 1965)

Protected by US and International patents granted and pending





Units: mm
[inch]

SRD-HPT Installation example

This drawing remains property of rheonics. It may be neither copied nor informed to third persons or competitors without our approval. (2 paragraph 1 fig.7 copyright act of 9th Sept. 1965)

Protected by US and International patents granted and pending

rheonics



inline process
density and viscosity
monitoring