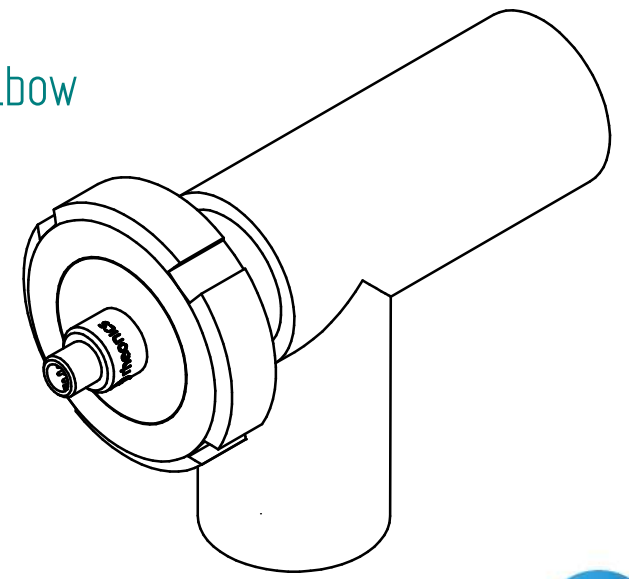


Installation on DN40 Jacketed Elbow		
Sensor Type		SRD-SLP
Configuration		SRD-SLP-A117-BH40
A	Insertion Depth	117 mm
B	Connection	Sanitary fitting
	Norm	DIN 11851
	Size	DN40



Units: mm
[inch]

SRD-SLP-A117-BH40 DN40 Jacketed Elbow

This drawing remains property of rheonics. It may be neither copied nor informed to third persons or competitors without our approval. (2 paragraph 1 fig.7 copyright act of 9th Sept. 1965)

Protected by US and International patents granted and pending

