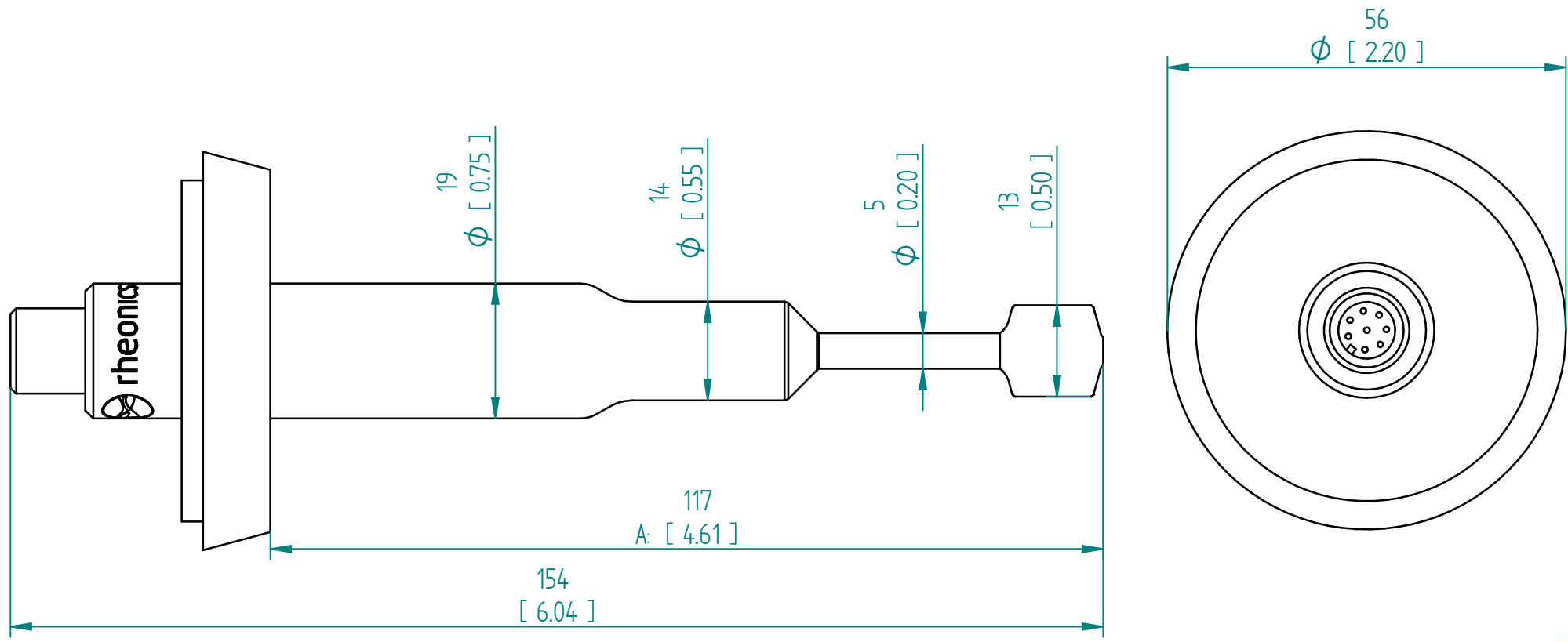


SLP	SRD-SLP-A117-BH40	
A	Insertion Depth	117 mm
B	Connection	Sanitary fitting
	Norm	DIN 11851
	Size	DN40



Units: mm  
[inch]

**SRD-SLP-A117-BH40**  
**DIN 11851 DN40**

This drawing remains property of rheonics. It may be neither copied nor informed to third persons or competitors without our approval. ( 2 paragraph 1 fig.7 copyright act of 9th Sept. 1965)



Protected by US and International patents granted and pending