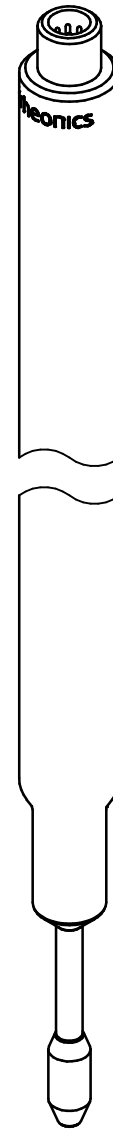
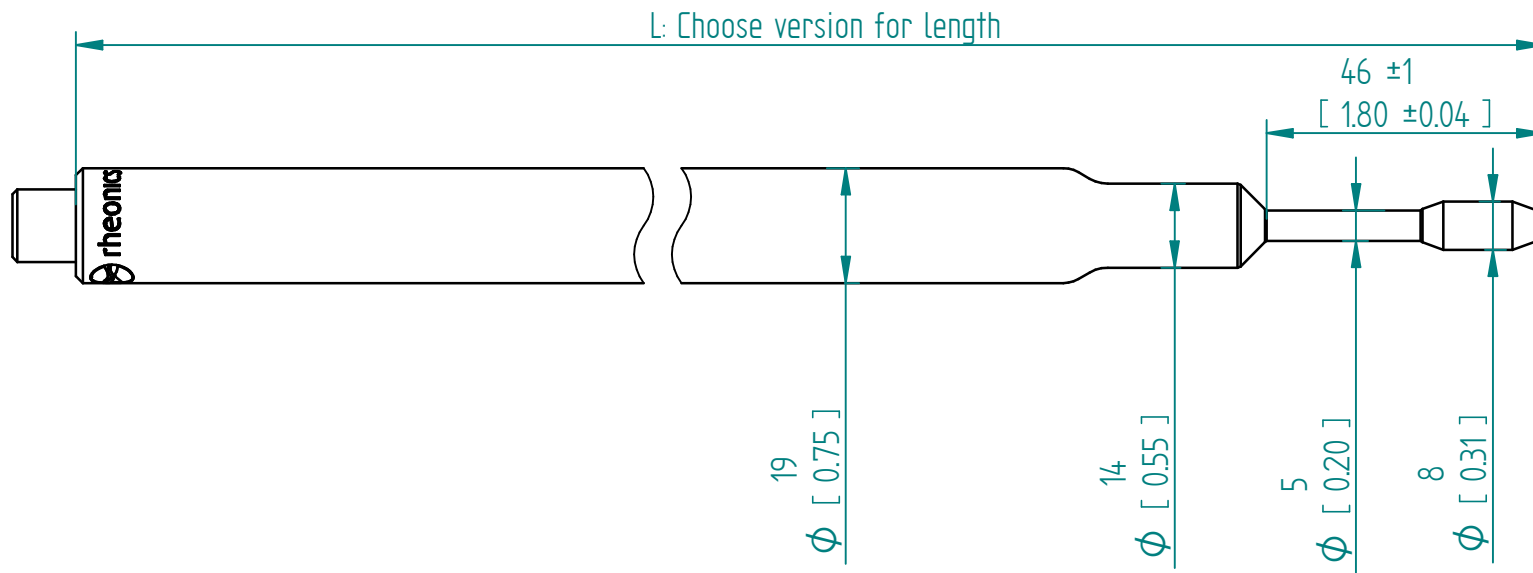


Rheonics SRV-X7-RP	
Max. Pressure	500 bar (7500 psi)
Material	316L
Order Code	Length ± 1 mm
SRV-X7-RP150	L = 150 mm [5.90 in]
SRV-X7-RP250	L = 250 mm [9.84 in]
SRV-X7-RP350	L = 350 mm [13.78 in]
SRV-X7-RP450	L = 450 mm [17.70 in]



Units: mm
[inch]



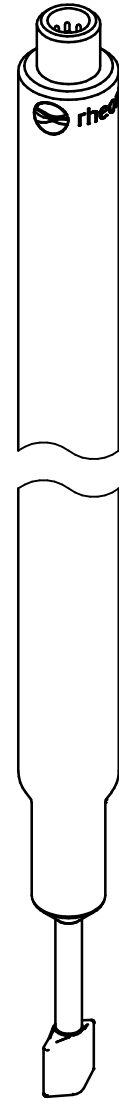
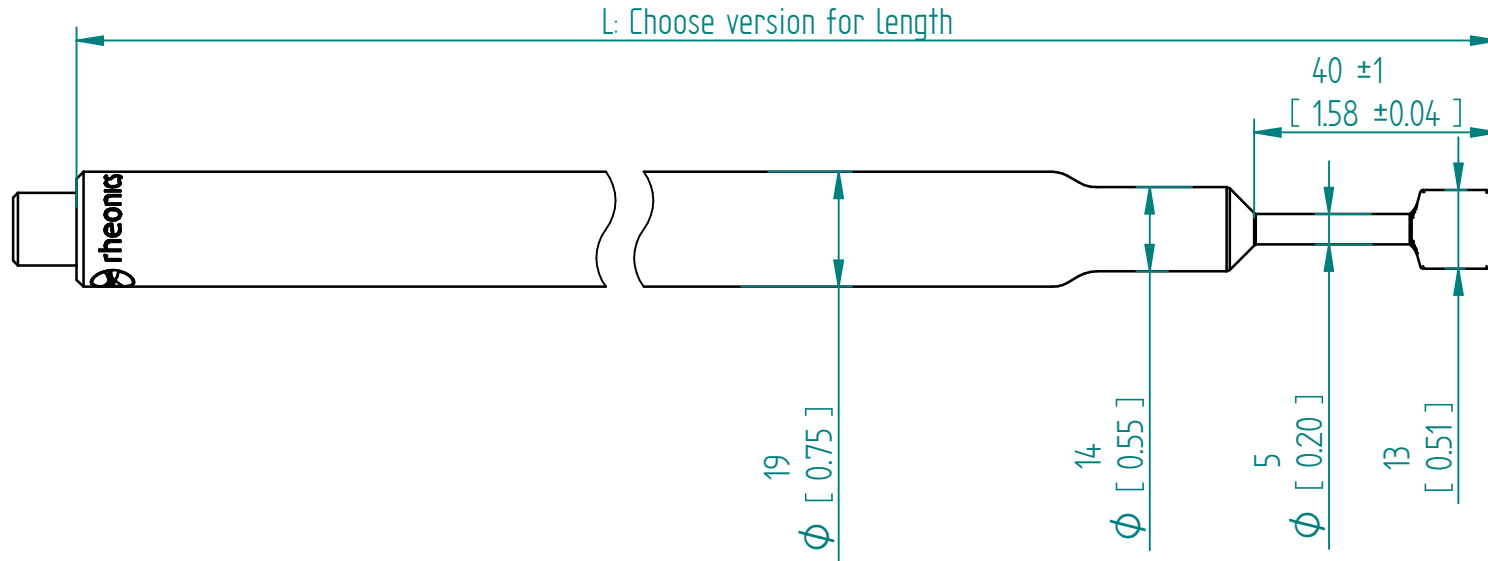
SRV-X7-RP Reactor Probe SRV

This drawing remains property of rheonics. It may be neither copied nor informed to third persons or competitors without our approval. (2 paragraph 1 fig.7 copyright act of 9th Sept. 1965)

Protected by US and International patents granted and pending

Rheonics SRD-X7-RP

Max. Pressure	500 bar (7500 psi)
Material	316L
Order Code	Length ± 1 mm
SRD-X7-RP150	L = 143 mm [5.63 in]
SRD-X7-RP250	L = 243 mm [9.56 in]
SRD-X7-RP350	L = 343 mm [13.50 in]
SRD-X7-RP450	L = 443 mm [17.44 in]



Units: mm
[inch]



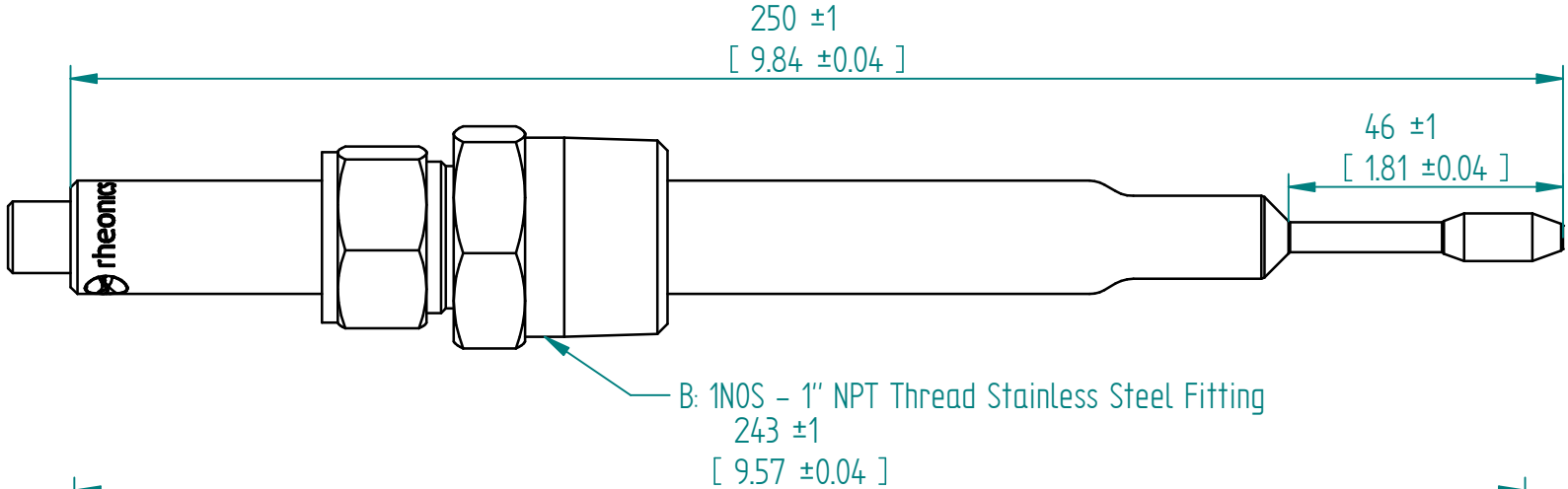
SRD-X7-RP Reactor Probe SRD

This drawing remains property of rheonics. It may be neither copied nor informed to third persons or competitors without our approval. (2 paragraph 1 fig.7 copyright act of 9th Sept. 1965)

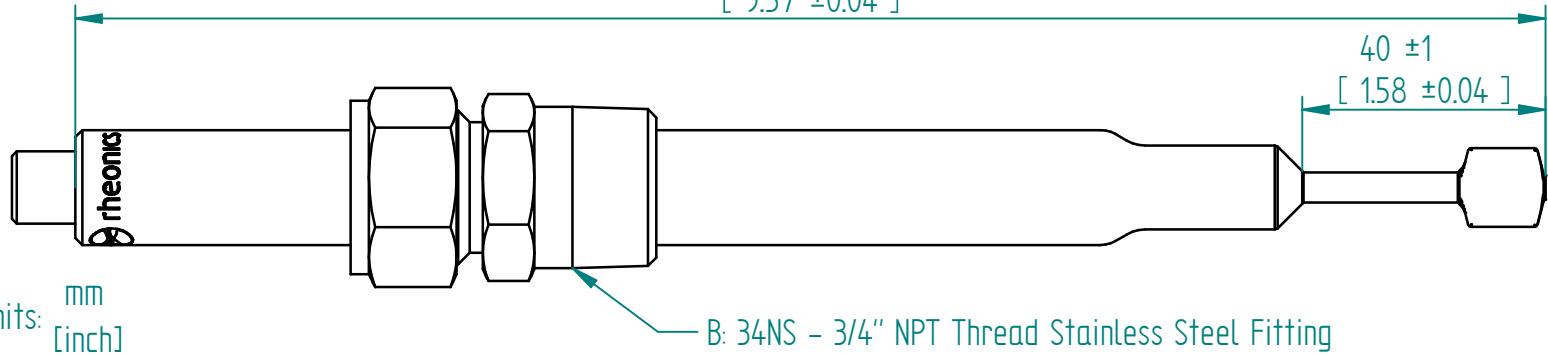
Protected by US and International patents granted and pending

Reactor Probe (RP) Order Code		
Rheonics SRx-X7-RPyyy-Bzzz		
x: Sensor Type	Selected by customer	Rheonics SRV viscometer Rheonics SRD density meter and viscometer
yyy: Length Variant	Selected by customer	Options: 150/250/350/450
zzz: Connection Type	Defined by customer	Compression Fitting min. OD 22mm PTFE (P) or SS316L (S) material

Client should specify sensor type, length variant and process connection required



SRV-X7-RP250-B1N0S
1" NPT SS316L
compression fitting



SRD-X7-RP250-B34NS
3/4" NPT SS316L
compression fitting

Units: mm
[inch]



inline process
density and viscosity
monitoring

Type-SR Sensor -X7-RP Configuration options

This drawing remains property of rheonics. It may be neither copied nor informed to third persons or competitors without our approval. (2 paragraph 1 fig.7 copyright act of 9th Sept. 1965)

Protected by US and International patents granted and pending