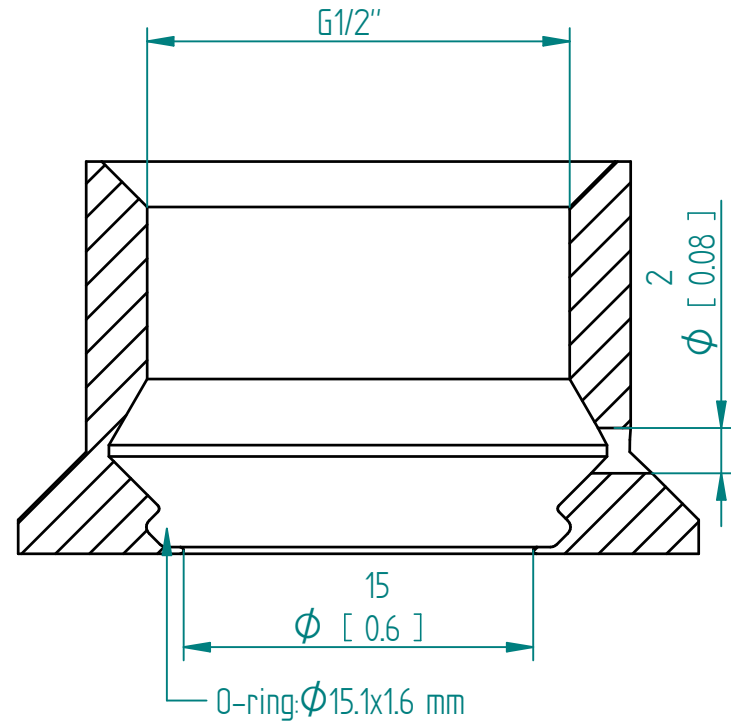
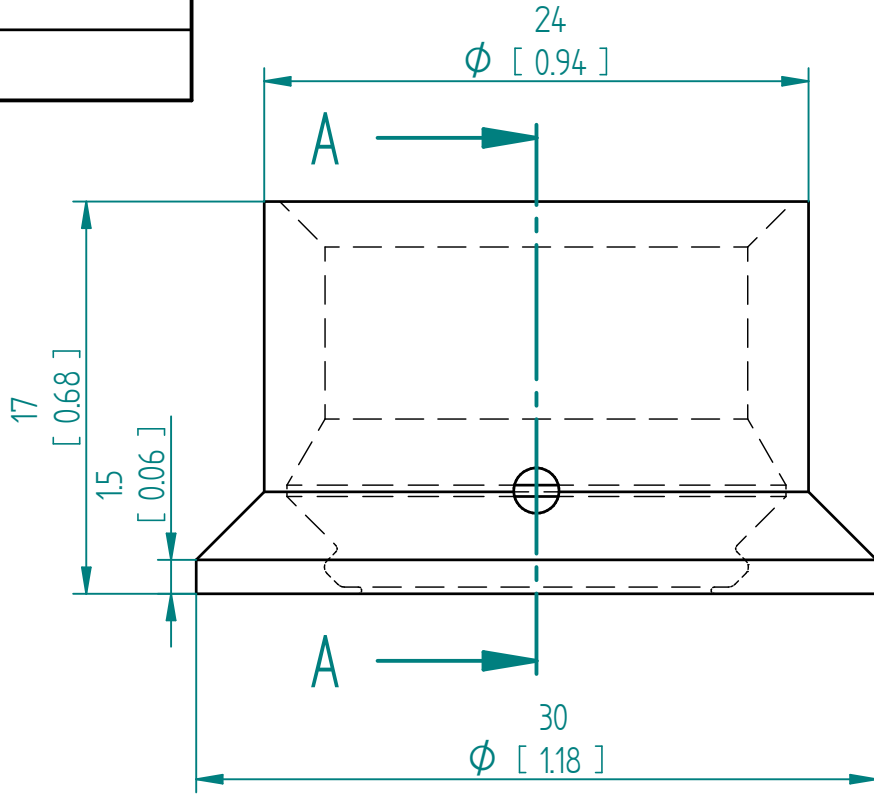
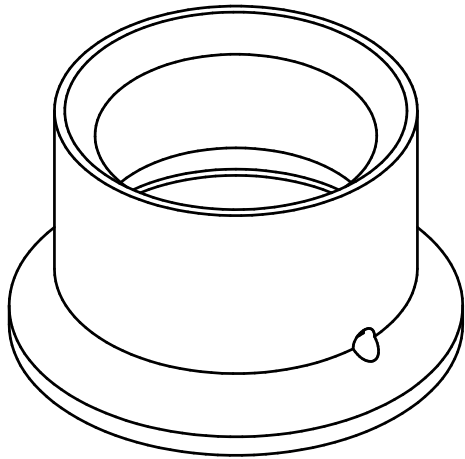


Pressure rating weldolet	500 bar (7500 psi)
Material	316L
Thread	G 1/2"



Section A-A

Units: mm
[inch]

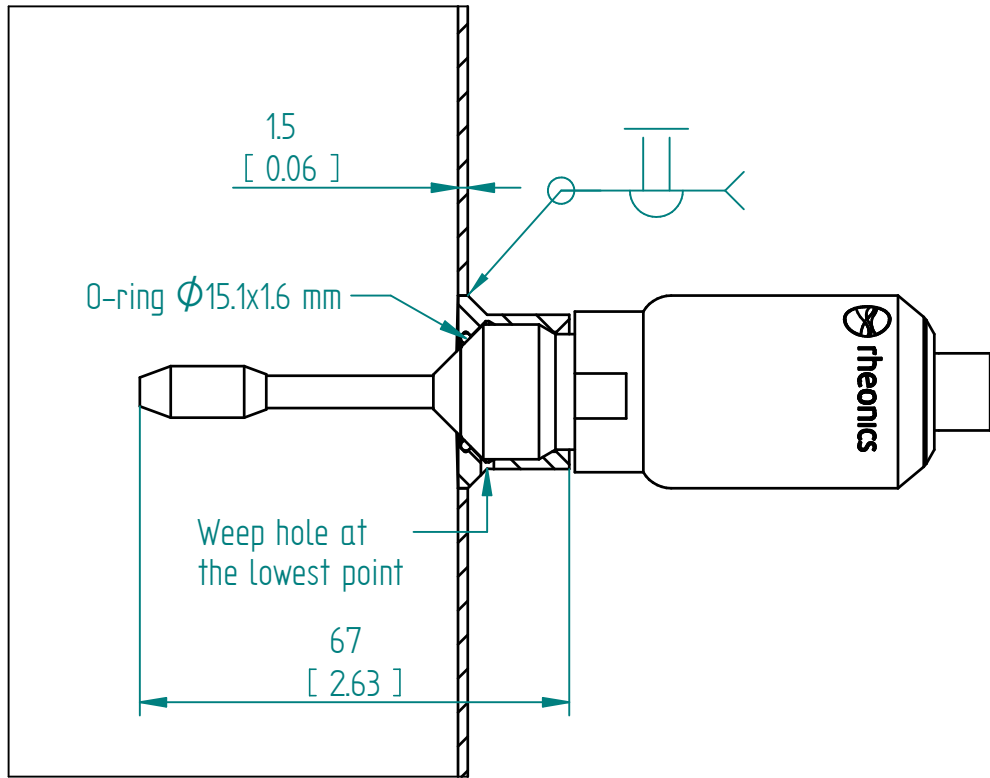
HAW-12G-OTN
G1/2" Thin O-Ring Seal Weldolet

This drawing remains property of rheonics. It may be neither copied nor informed to third persons or competitors without our approval. (2 paragraph 1 fig.7 copyright act of 9th Sept. 1965)

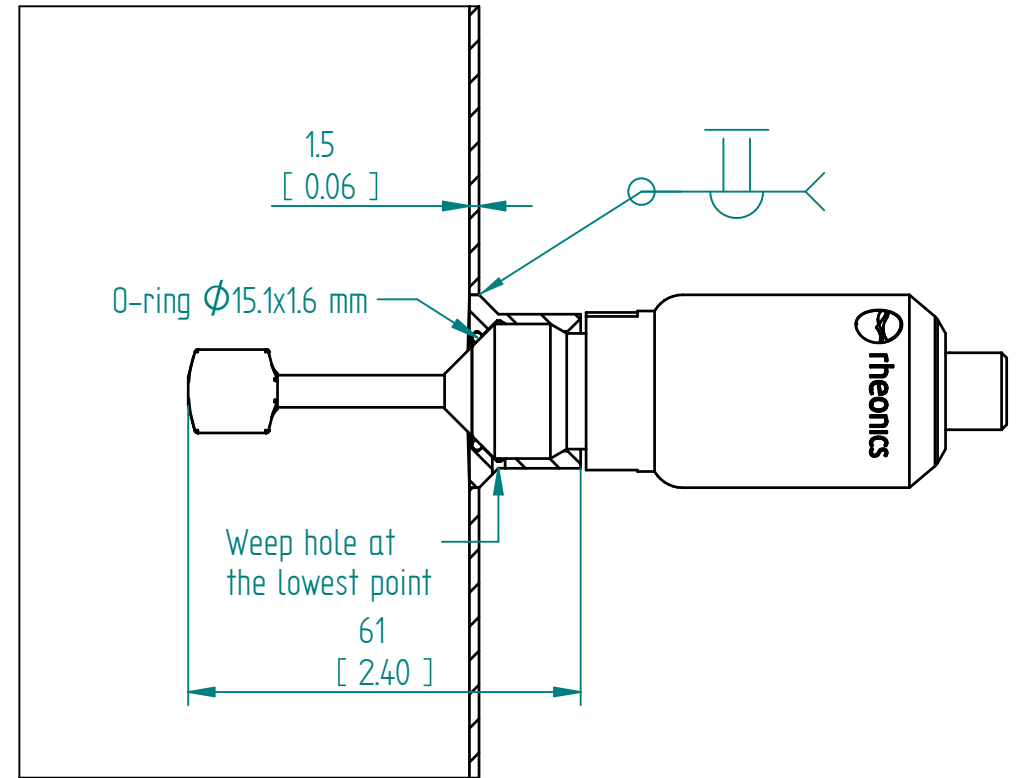


inline process
density and viscosity
monitoring

SRV-12G



SRD-12G



Units: mm
[inch]

HAW-12G-OTN Installation drawing

This drawing remains property of rheonics. It may be neither copied nor informed to third persons or competitors without our approval. (2 paragraph 1 fig.7 copyright act of 9th Sept. 1965)

Protected by US and International patents granted and pending

rheonics • Switzerland • USA • www.rheonics.com • info@rheonics.com +41 52 511 32 00 +1 713 364 5427

Release: 2305