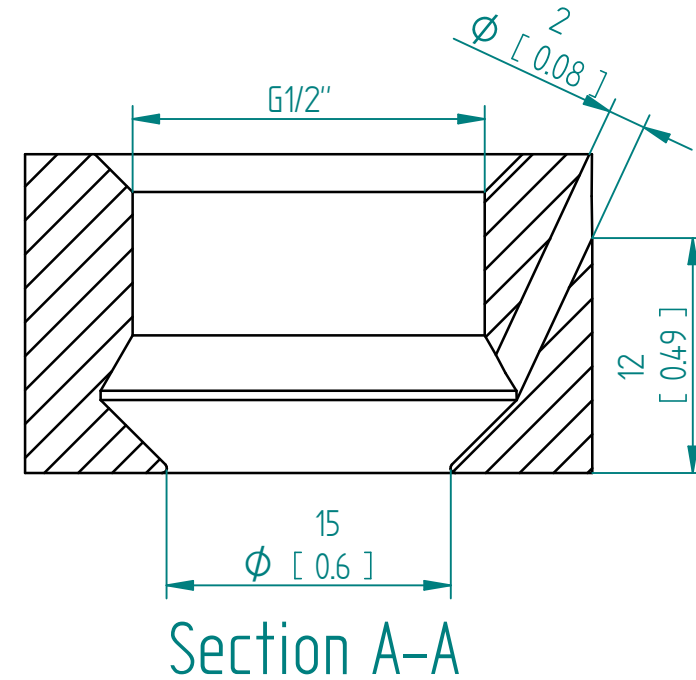
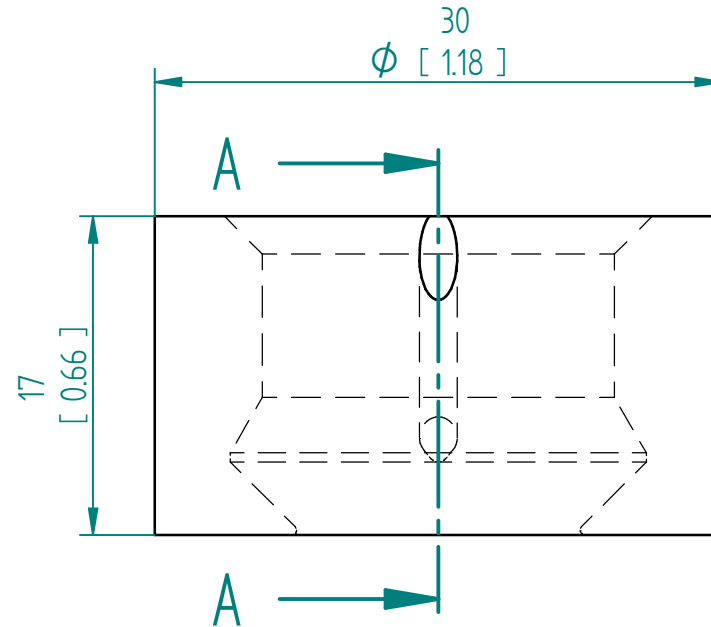
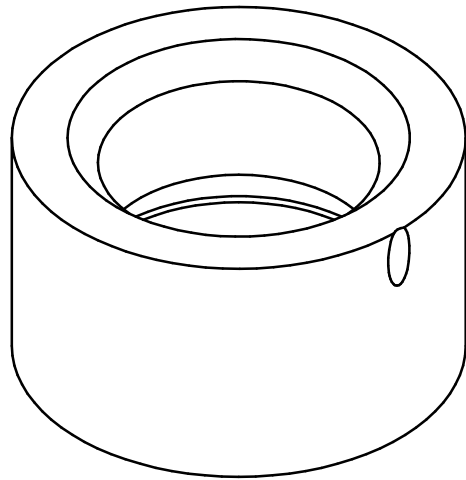


Material	316L
Thread	G 1/2"
Part code	HAW-12G-MTK



Pressure rating is limited by the sensor probe pressure rating and welding

Units: mm
 [inch]

HAW-12G-MTK G1/2" Thick Metal Seal Weldolet

This drawing remains property of rheonics. It may be neither copied nor informed to third persons or competitors without our approval. (2 paragraph 1 fig.7 copyright act of 9th Sept. 1965)

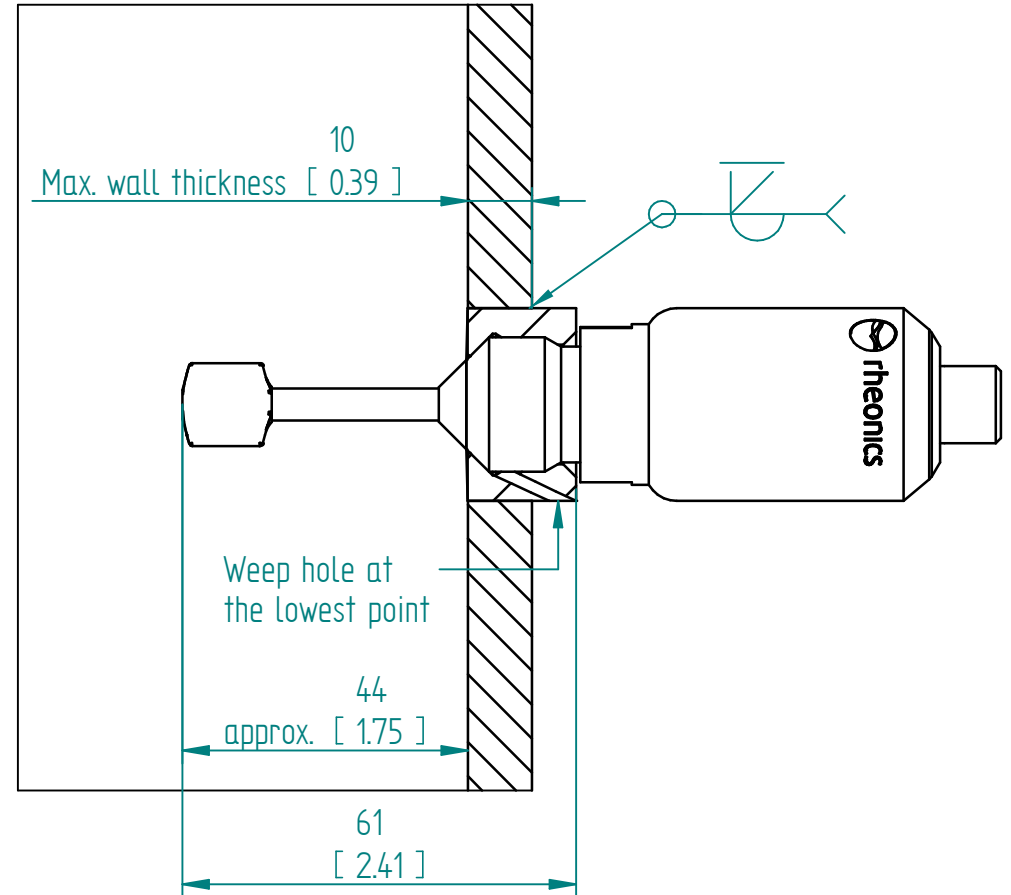
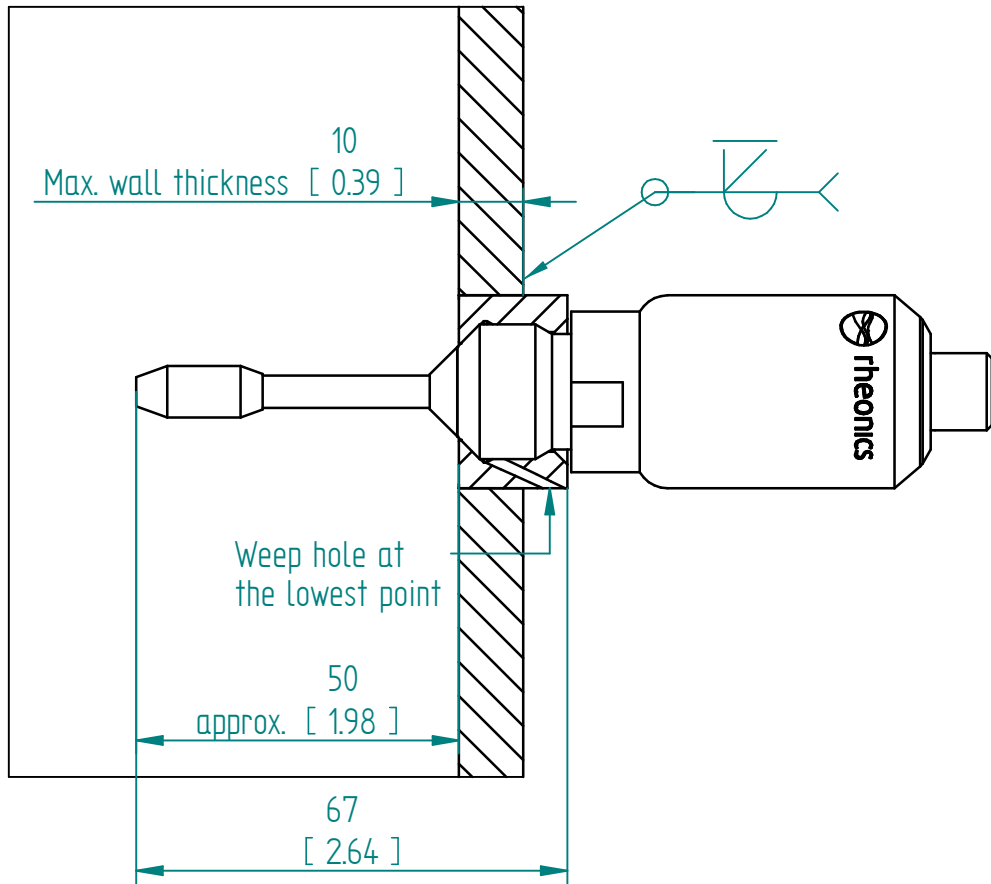
Protected by US and International patents granted and pending

rheonics • Switzerland • USA • www.rheonics.com • info@rheonics.com +41 52 511 32 00 +1 713 364 5427

Release: 2502

SRV-X1-12G

SRD-X1-12G



Units: mm
[inch]

HAW-12G-MTK Installation drawing

This drawing remains property of rheonics. It may be neither copied nor informed to third persons or competitors without our approval. (2 paragraph 1 fig.7 copyright act of 9th Sept. 1965)



inline process
density and viscosity
monitoring