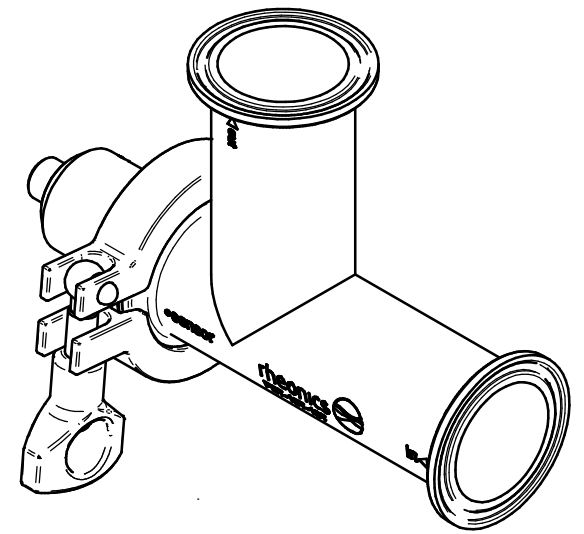


SRV Installation on Tri-Clamp elbow tee	
Sensor Order Code	SRV-X3-15T
Process Connection	Tri Clamp DN25/32/40
Norm	DIN 11850

Tri-Clamp elbow tee	
Adapter Order Code	FET-15T-15T
Inlet/Outlet Connection	Tri Clamp DN25/32/40
Norm	DIN 11850



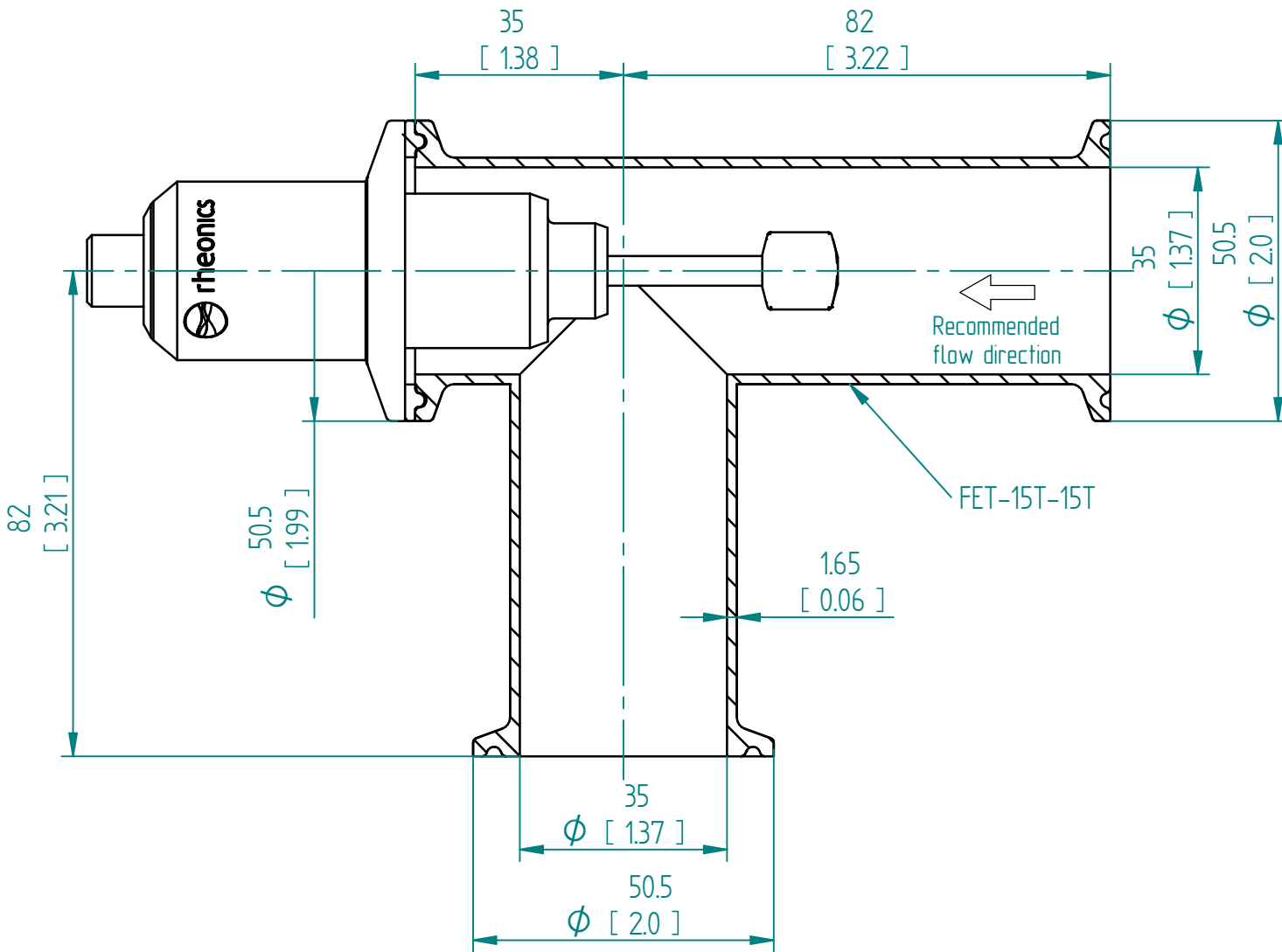
Units: mm [inch]

SRV-X3-15T Flow cell FET-15T-15T

This drawing remains property of rheonics. It may be neither copied nor informed to third persons or competitors without our approval. (2 paragraph 1 fig.7 copyright act of 9th Sept. 1965)

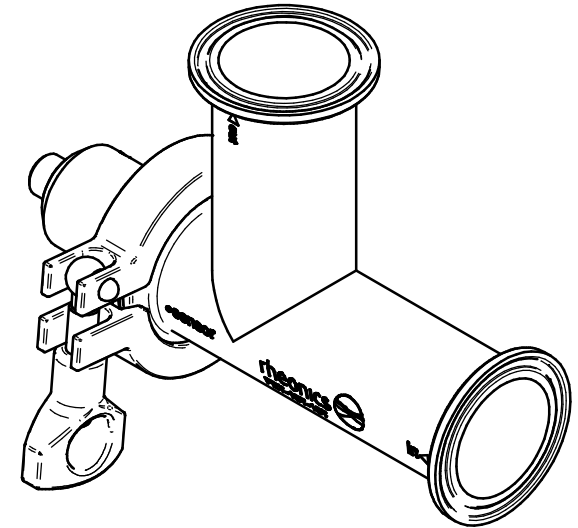
Protected by US and International patents granted and pending





SRD Installation on Tri-Clamp elbow tee	
Sensor Order Code	SRD-X3-15T
Process Connection	Tri Clamp DN25/32/40
Norm	DIN 11850

Tri-Clamp elbow tee	
Adapter Order Code	FET-15T-15T
Inlet/Outlet Connection	Tri Clamp DN25/32/40
Norm	DIN 11850



Units: mm
[inch]

SRD-X3-15T Flow cell FET-15T-15T

This drawing remains property of rheonics. It may be neither copied nor informed to third persons or competitors without our approval. (2 paragraph 1 fig.7 copyright act of 9th Sept. 1965)

Protected by US and International patents granted and pending