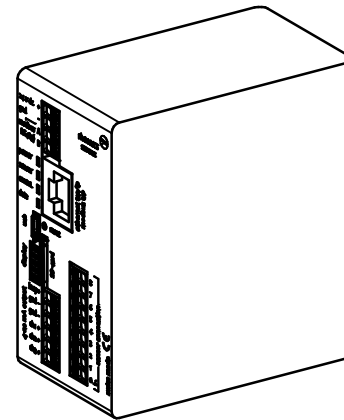
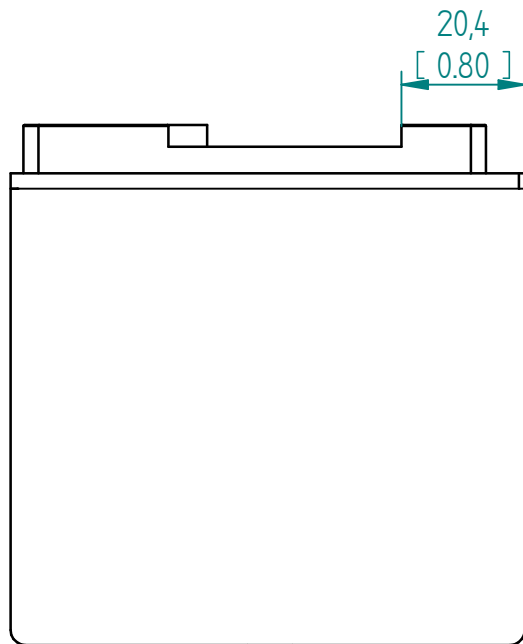


SME	
Type	SME-DRM
Weight	0.2 kg [0.4lbs]
IP-Rating	IP20
Power	24VDC
Material (casing)	SS 304



Units: mm
[inch]

SME-DRM DIN rail mount sensor electronics

This drawing remains property of rheonics. It may be neither copied nor informed to third persons or competitors without our approval. (2 paragraph 1 fig.7 copyright act of 9th Sept. 1965)

Protected by US and International patents granted and pending

rheonics • Switzerland • USA • www.rheonics.com • info@rheonics.com +41 52 511 32 00 +1 713 364 5427