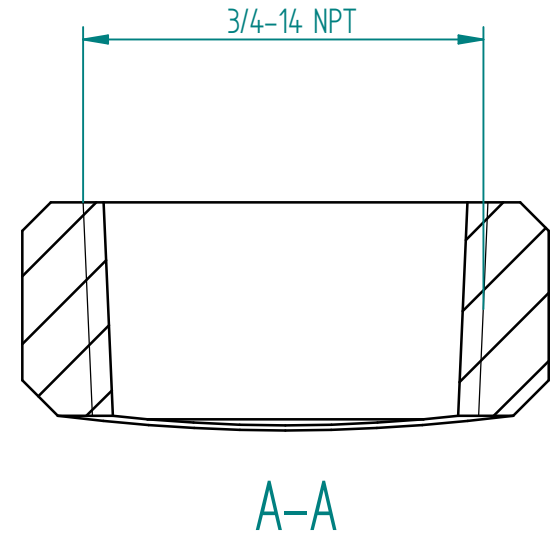
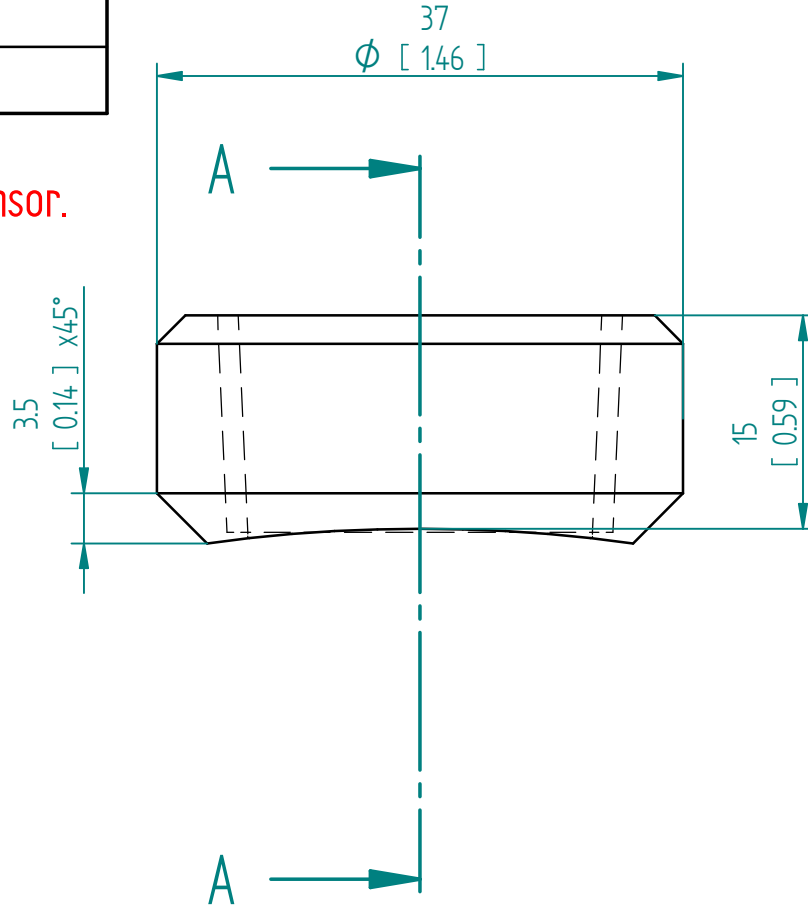
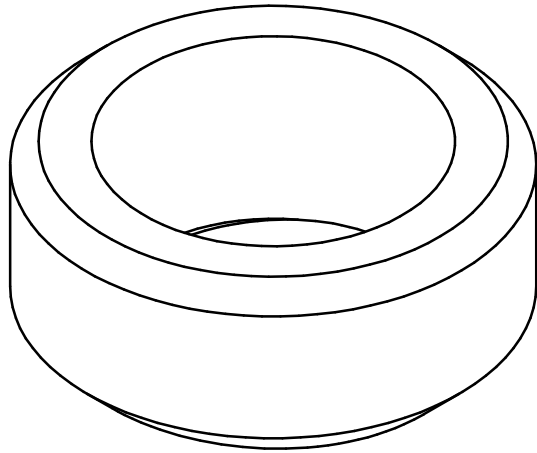


Pressure rating weldolet	500 bar (7500 psi)
Material	316L
Thread	NPT 3/4-14

Only to be used with correct pressure rating on the SRV/SRD sensor.



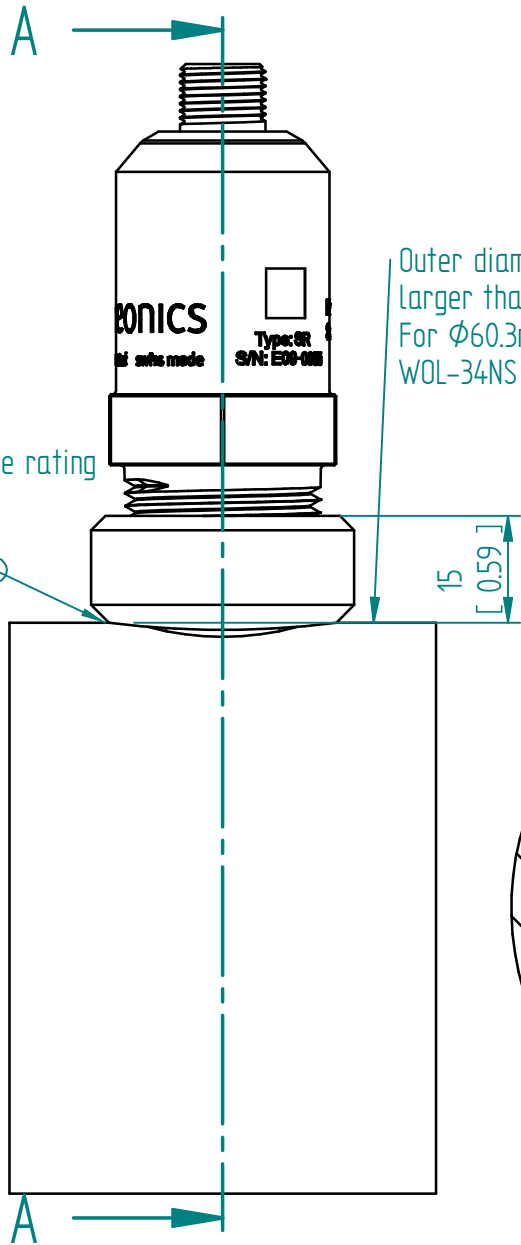
Units: mm  
 [inch]

## WOL-34NL Weldolet for pipes 2.5" and larger

This drawing remains property of rheonics. It may be neither copied nor informed to third persons or competitors without our approval. ( 2 paragraph 1 fig.7 copyright act of 9th Sept. 1965)

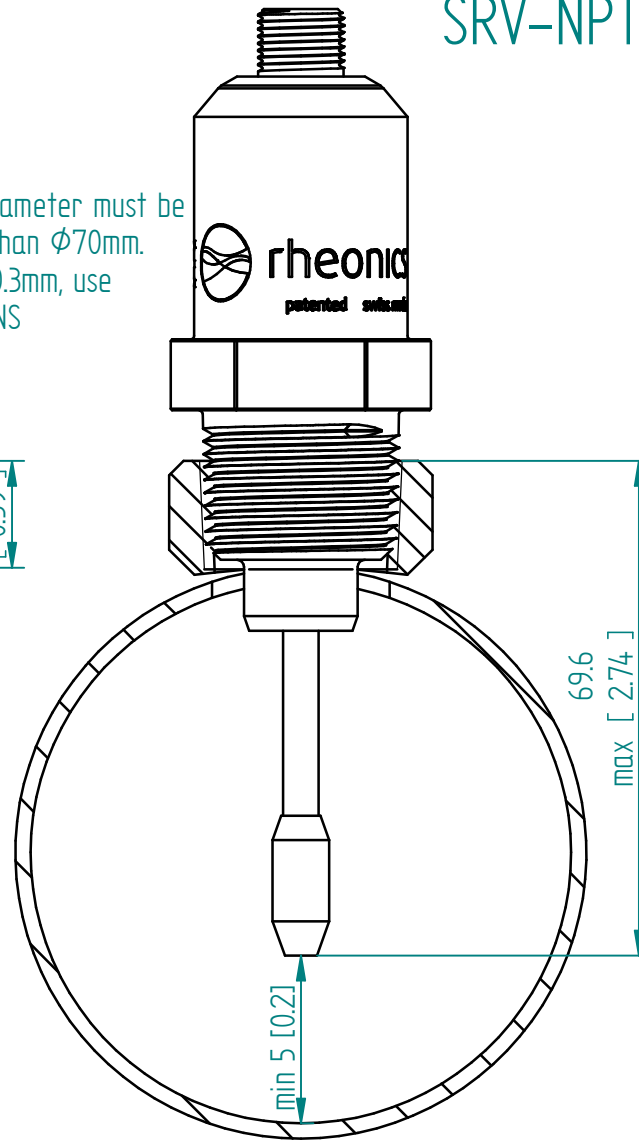
Protected by US and International patents granted and pending

rheonics • Switzerland • USA • www.rheonics.com • info@rheonics.com +41 52 511 32 00 +1 713 364 5427

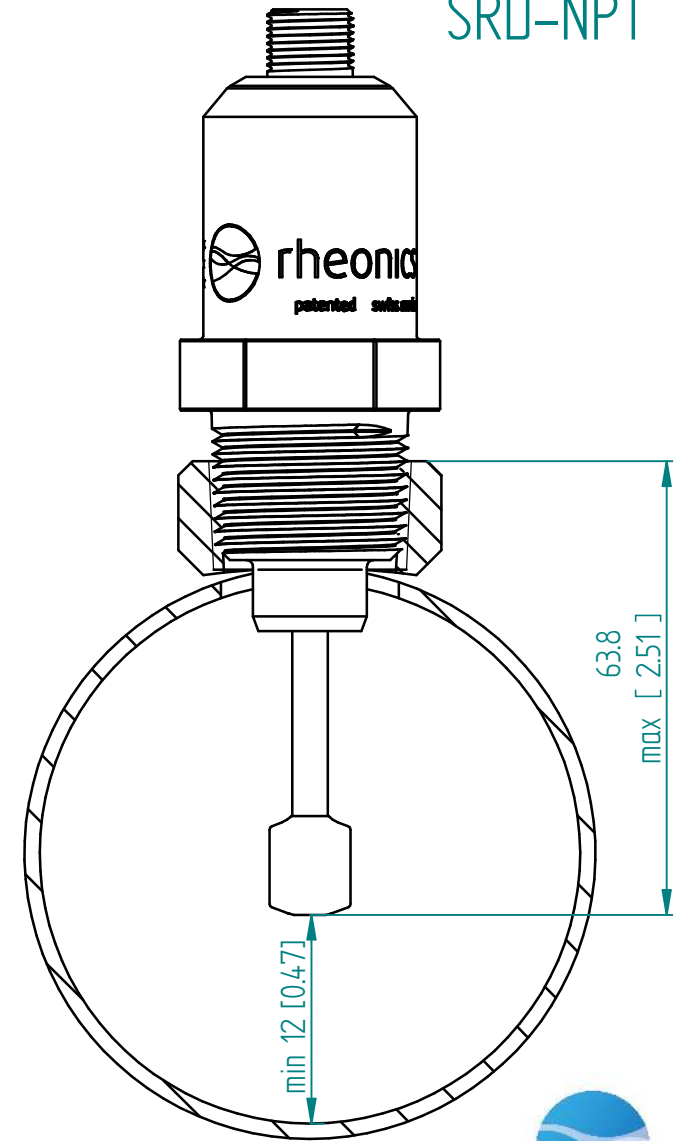


Units: mm [inch]

SRV-NPT



SRD-NPT



rheonics



inline process  
density and viscosity  
monitoring

This drawing remains property of rheonics. It may be neither copied nor informed to third persons or competitors without our approval. ( 2 paragraph 1 fig.7 copyright act of 9th Sept. 1965)

Protected by US and International patents granted and pending

rheonics • Switzerland • USA • www.rheonics.com • info@rheonics.com +41 52 511 32 00 +1 713 364 5427

# Installation drawing WOL-34NL