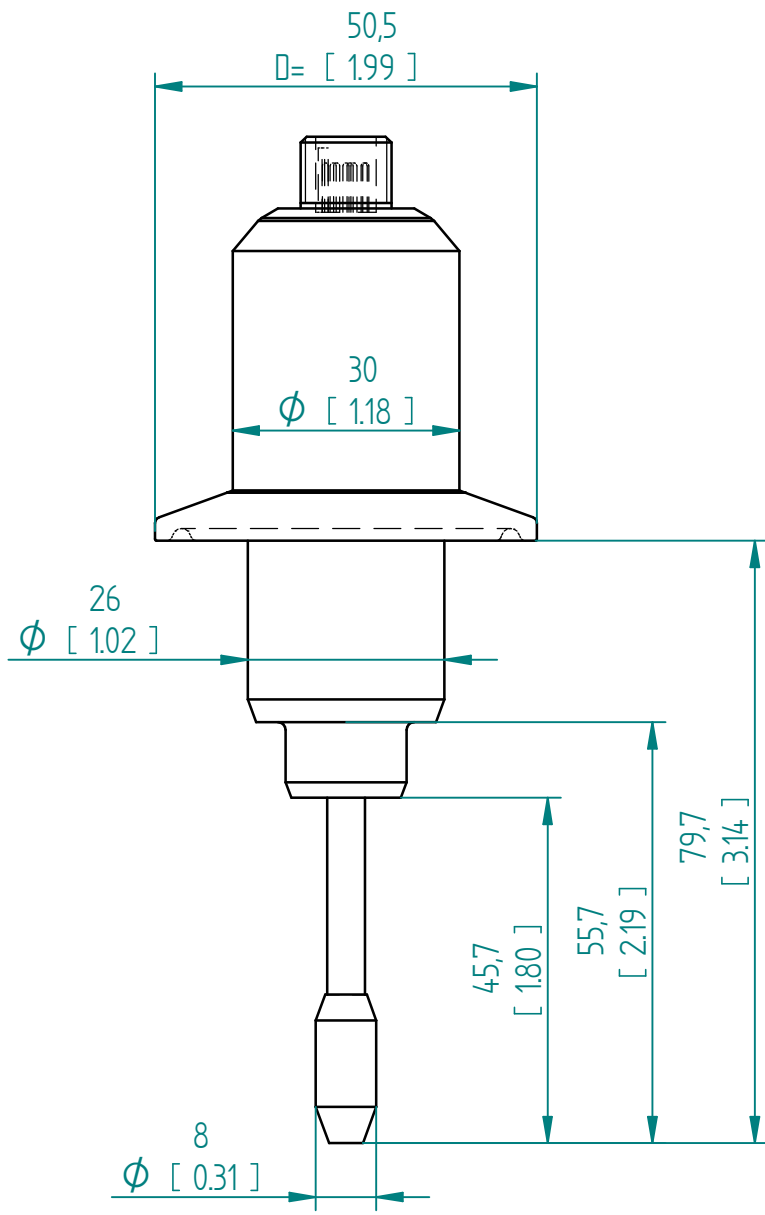
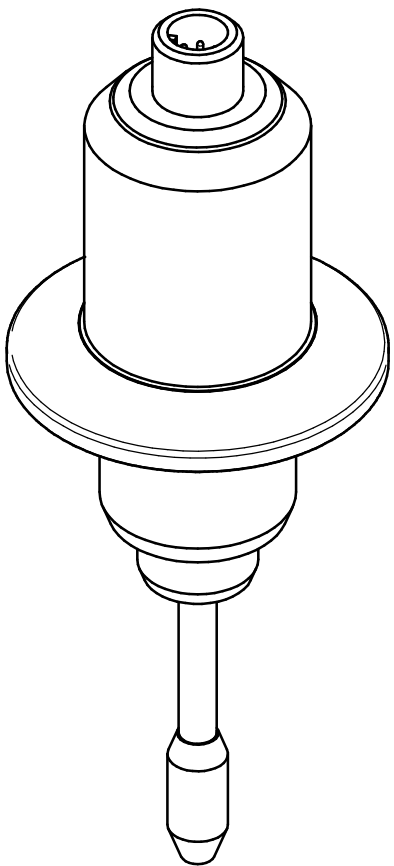


# Variable dimensions:

## **B: Flange/adapter:**

Tri-Clamp adapters are compatible with all standardss (ISO/DIN/ASME)  
Standard Tri-Clamp is D=50.5mm [1.5"]  
Other options:  
D=64mm  
D=77.5mm  
D=91mm  
D=106mm



Units: mm [inch]

## SRV Tri-Clamp

This drawing remains property of rheonics. It may be neither copied nor informed to third persons or competitors without our approval. ( 2 paragraph 1 fig.7 copyright act of 9th Sept. 1965)



Protected by US and International patents granted and pending

rheonics • Switzerland • USA • www.rheonics.com • info@rheonics.com +41 52 511 32 00 +1 713 364 5427