

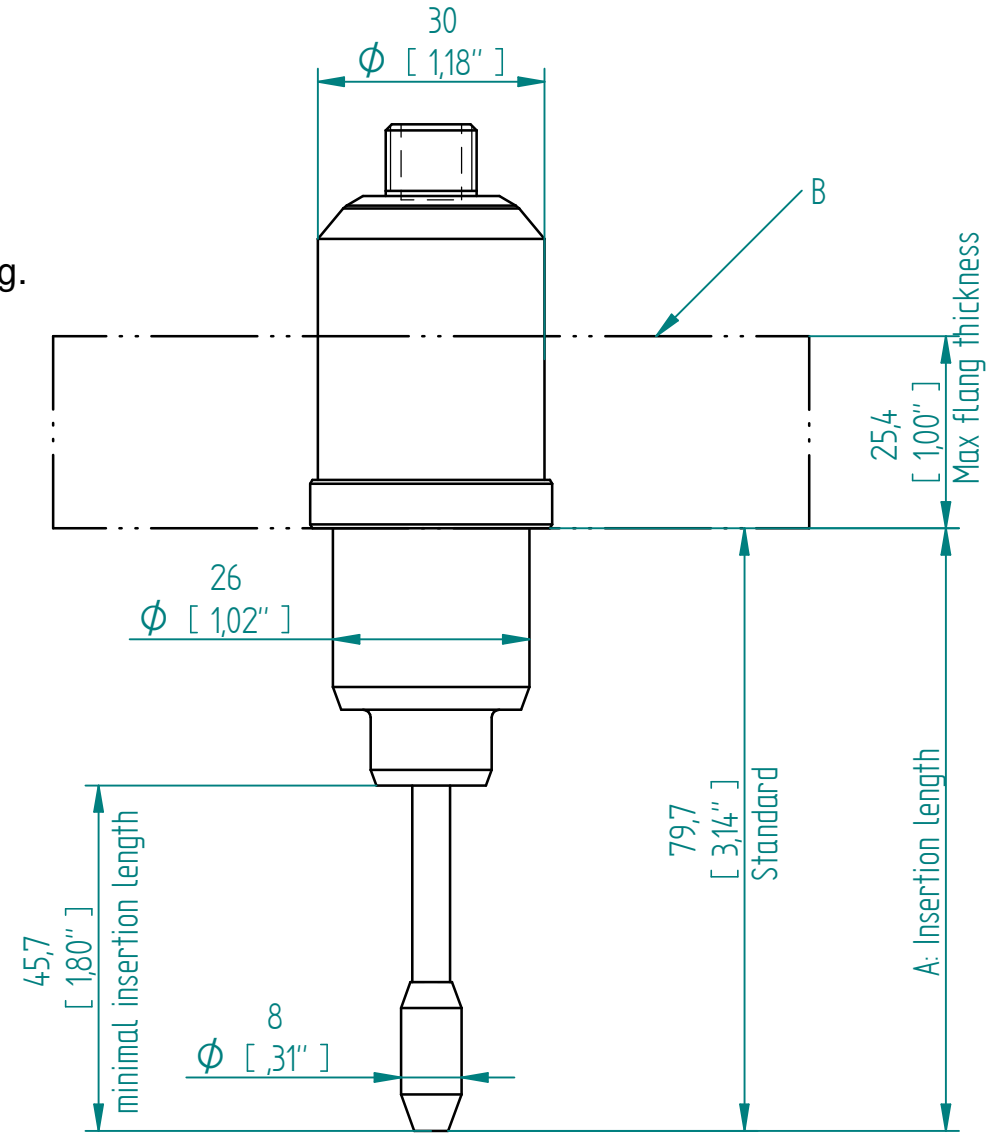
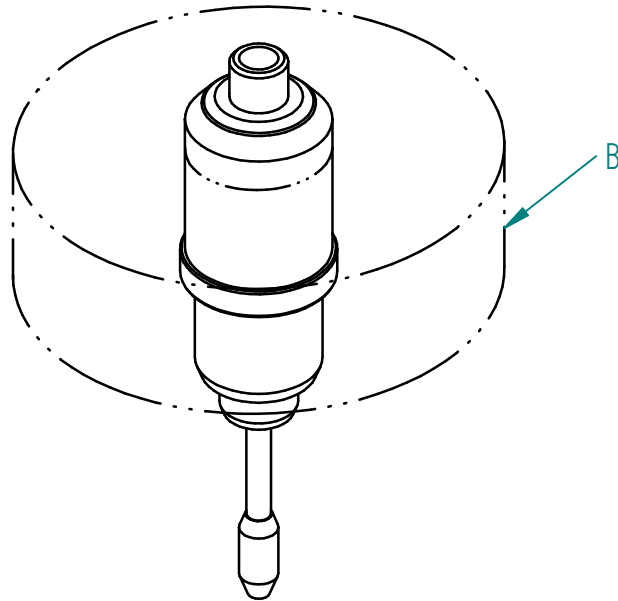
## Variable dimensions:

### **A: Insertion length**

Standard insertion length is 79.7 mm  
Custom lengths are possible from  
 $45.7\text{mm} < A < 79.7\text{mm}$

### **B: Flange/adapter:**

Specify the norm, size, pressure rating, e.g.  
*ANSI 150 LB RF 2 inch*  
*ANSI 300 LB RF 1.5 inch*



Units: mm  
[inch]

## SRV flange

This drawing remains property of rheonics. It may be neither copied nor informed to third persons or competitors without our approval. ( 2 paragraph 1 fig.7 copyright act of 9th Sept. 1965)

rheonics 

inline process  
density and viscosity  
monitoring

Protected by US and International patents granted and pending

rheonics • Switzerland • USA • www.rheonics.com • info@rheonics.com +41 52 511 32 00 +1 713 364 5427