

Variable dimensions:

B: Flange/adapter:

Tri-Clamp adapters are compatible with all standards (ISO/DIN/ASME)

Standard Tri-Clamp is D=50.5mm [1.5"]

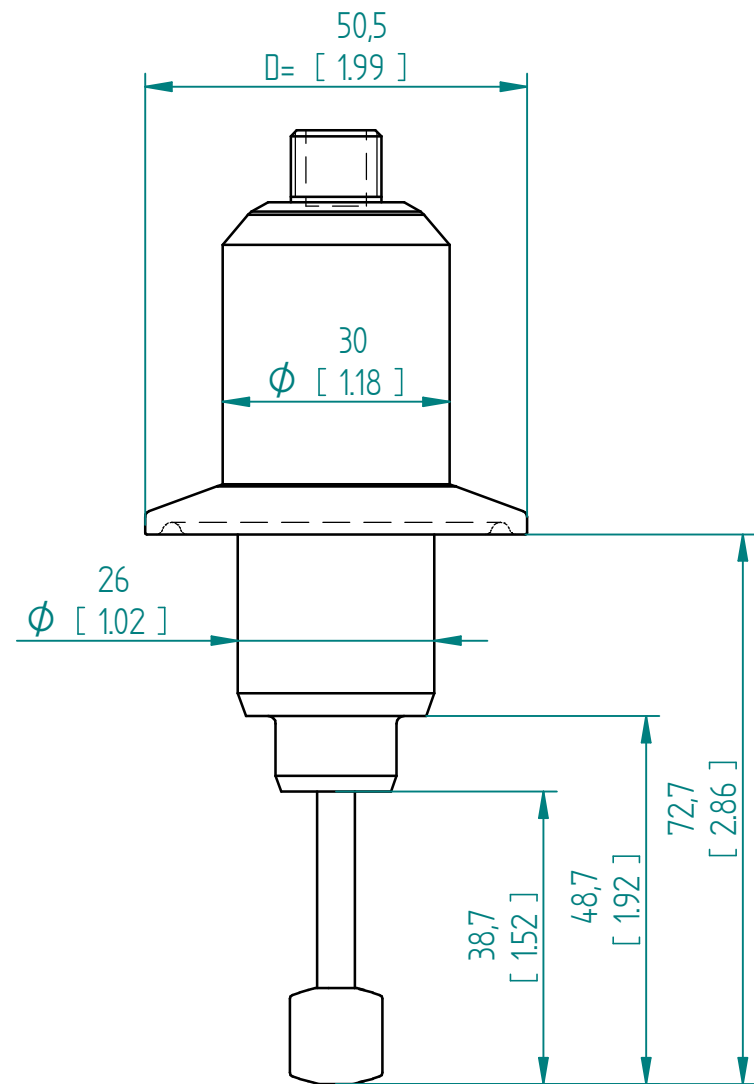
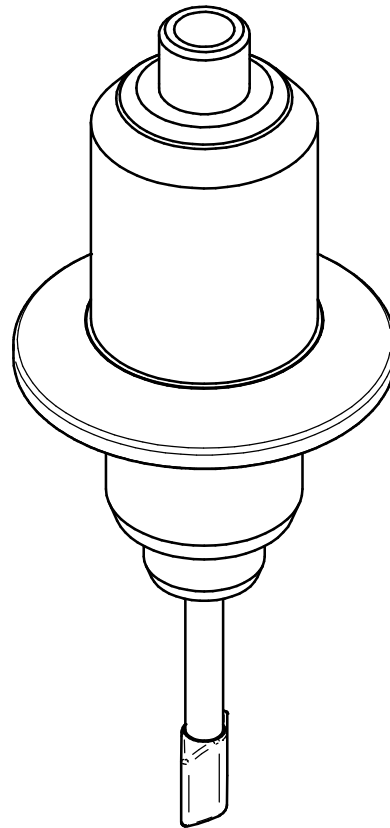
Other options:

D=64mm

D=77.5mm

D=91mm

D=106mm



Units: mm
[inch]

SRD Tri-Clamp

This drawing remains property of rheonics. It may be neither copied nor informed to third persons or competitors without our approval. (2 paragraph 1 fig.7 copyright act of 9th Sept. 1965)

rheonics 

inline process
density and viscosity
monitoring