

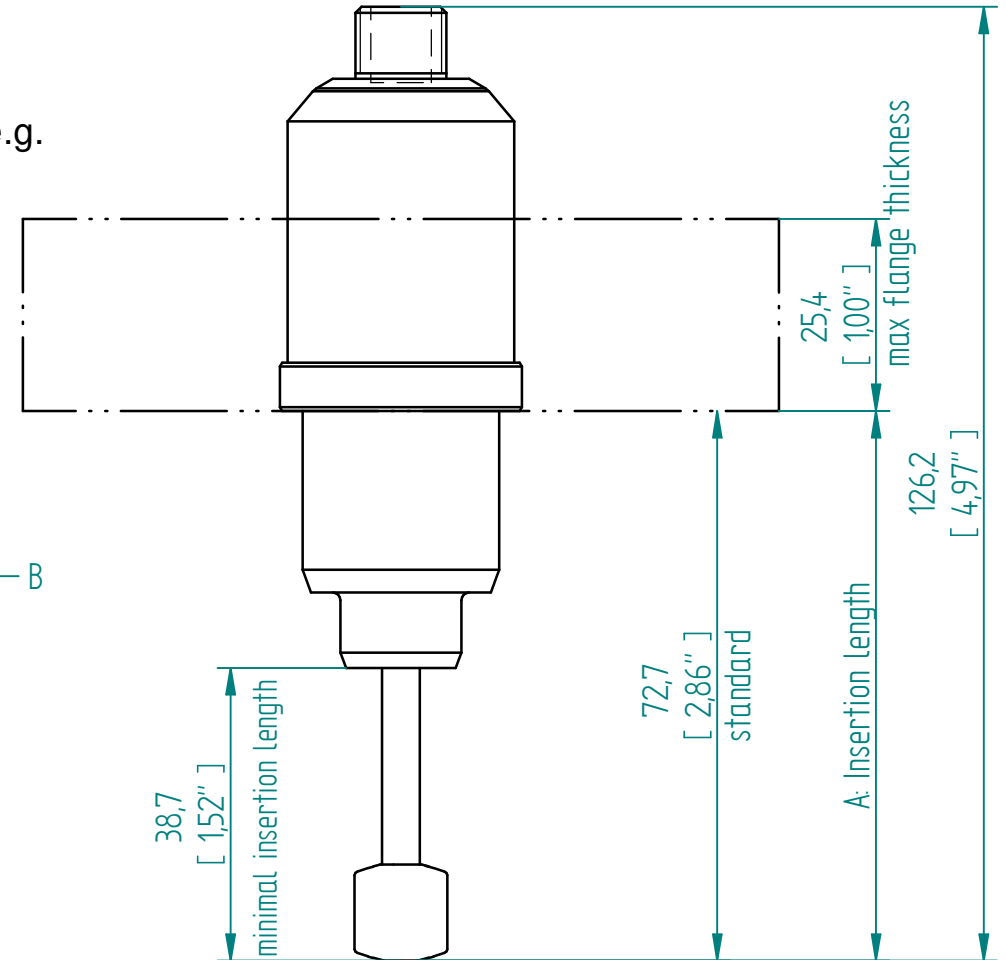
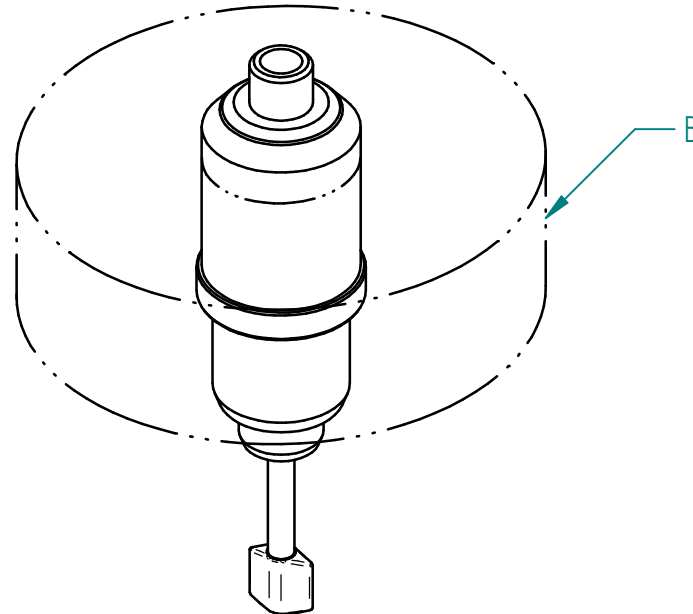
Variable dimensions:

A: Insertion length

Standard insertion length is 72.7 mm
Custom lengths are possible from
 $38.7\text{mm} < A < 72.7\text{mm}$

B: Flange/adapter:

Specify the norm, size, pressure rating, e.g.
ANSI 150 LB RF 2 inch
ANSI 300 LB RF 1.5 inch



Units: mm
[inch]

SRD flange

This drawing remains property of rheonics. It may be neither copied nor informed to third persons or competitors without our approval. (2 paragraph 1 fig.7 copyright act of 9th Sept. 1965)



inline process
density and viscosity
monitoring